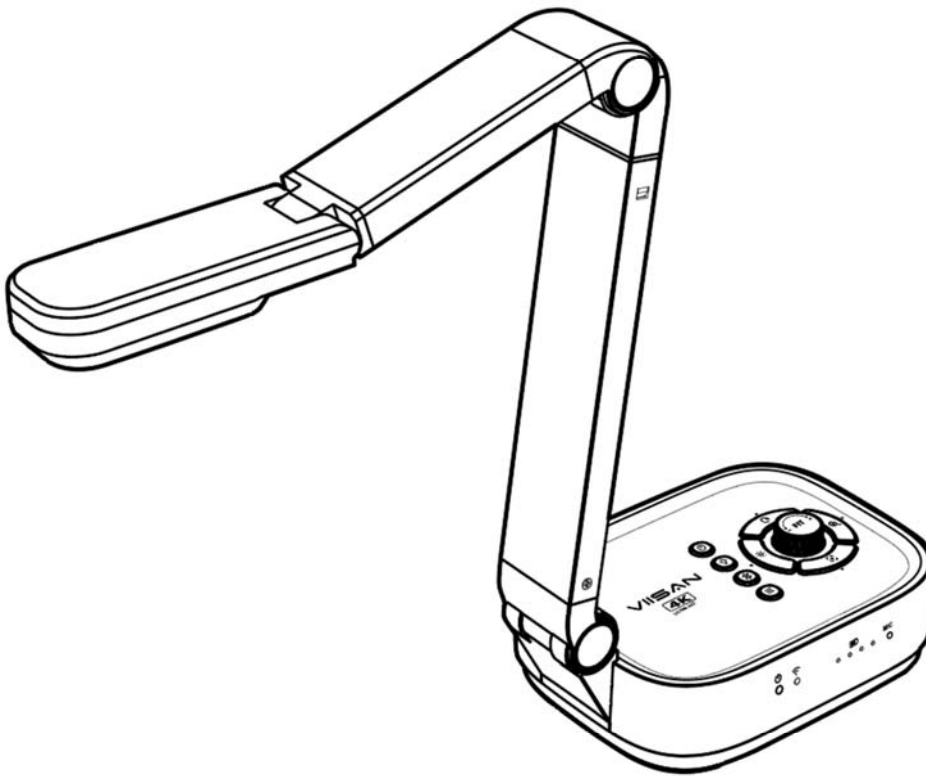


VIISAN®

**P4W 4K Wireless Document Camera
User Manual**

VIISAN®

P4W 4K Wireless Document Camera Quick Start Guide



Please read this guide before using the product.

Step 1. Instructions

Thank you for purchasing the VIISAN product. The P4W is a 4K wireless visualizer for use in digital teaching and distance learning. This quick start guide briefly describes the steps to start using this document camera. If you have any technical or service questions about the product, please E-mail our customer service using info@viisan.com then we will provide you with service and support.

Limited Warranty

This product provides limited warranty continues for one (1) year from the date of purchase.

Warranty Exclusions

The following circumstances excluded from warranty coverage:

- Product damage caused by catastrophes, thunder stroke, faulty electric power, and environmental factors.
- Defacing of product labeling (label alterations and falsifying, serial number missing, serial number no longer discernible, serial number invalid). All serial numbers are recorded and tracked for warranty purposes.
- Unauthorized changes of non-parts, modifications or alterations, parts removal in or to the products.
- Damage caused by operator error or operator fails to comply user manual instruction, such as, but not limited to improper storage resulting in product get wet, corrosion, ell off, squeezed or exposed to inadequate temperature/humid environment.
- Accessories or packing material such as boxes, user manual, etc.

Safety & Environmental Information

- This device complies with part 15 of the FCC rules and CE certification.
- Discarded electrical and electronic appliances are recyclable and should separate from household waste. Please actively support in conserving resources and protecting the environment by returning this appliance to the collection centers.



System Requirements

Intel i3 Processor or Higher
USB Port
At least 4GB RMB (Recommended 8GB)
20GB Available HDD Space
Windows & Chrome Extension

Step 2. Specifications

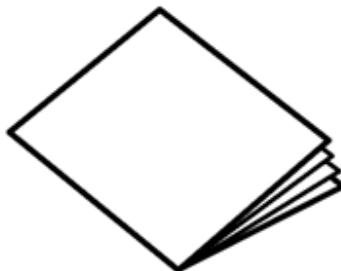
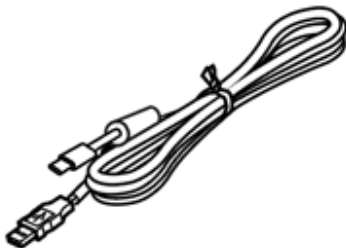
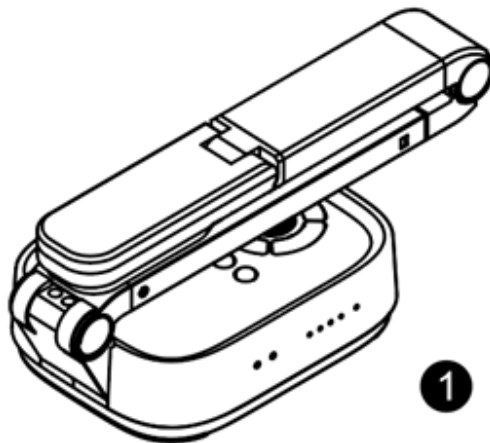
Image Sensor	1/3.06", 13 MP CMOS Sensor
F/NO (Infinite)	2.2
TV lines	1100
Max. Shooting Area	430mm x 320mm (17"x12.6")
Max. HDMI Output Resolution / FPS	3840×2160@30fps (4K, 16:9)
USB Output Resolution / FPS	4192×3104@10fps, 3840x2160@30fps 1920x1080@30fps, 1280x720@30fps 1024x768@30fps, 640x360@30fps
Video Format	H.264 / MJPG / YUY2
Focus	Auto / Manual
Lamp	LED
Image Rotation	0° / 90° / 180° / 270° / Flip / Mirror
PTZ	Yes
Freeze	Yes
Power Frequency	50 / 60 Hz
Wireless Compatibility	802.11a/b/g/n/ac
Wireless Working Frequency	5 GHz / 2.4 GHz
Dual mode	AP / Station DHCP (Server / Client)
Microphone	Built-in Omnidirectional Microphone
Connectivity	USB (Type-C) / HDMI / WiFi
Microphone	Built-in Omnidirectional Microphone 1kHz(0dB=1V/Pa) Min-45 Nom-42 Max-39 dB
Powered By	USB Type-C (5V / 1A)
Built-in Battery	Battery Work 9 Hours
Protocol	UVC / UAC Compliant
Soupport OS	Windows & Chrome Extension
Dimensions	Extended: 347x115x381 mm Closed: 242x115x87 mm
Net Weight	1.36Kg

NOTE: Specifications are subject to change without notice

Step 3. Unpacking

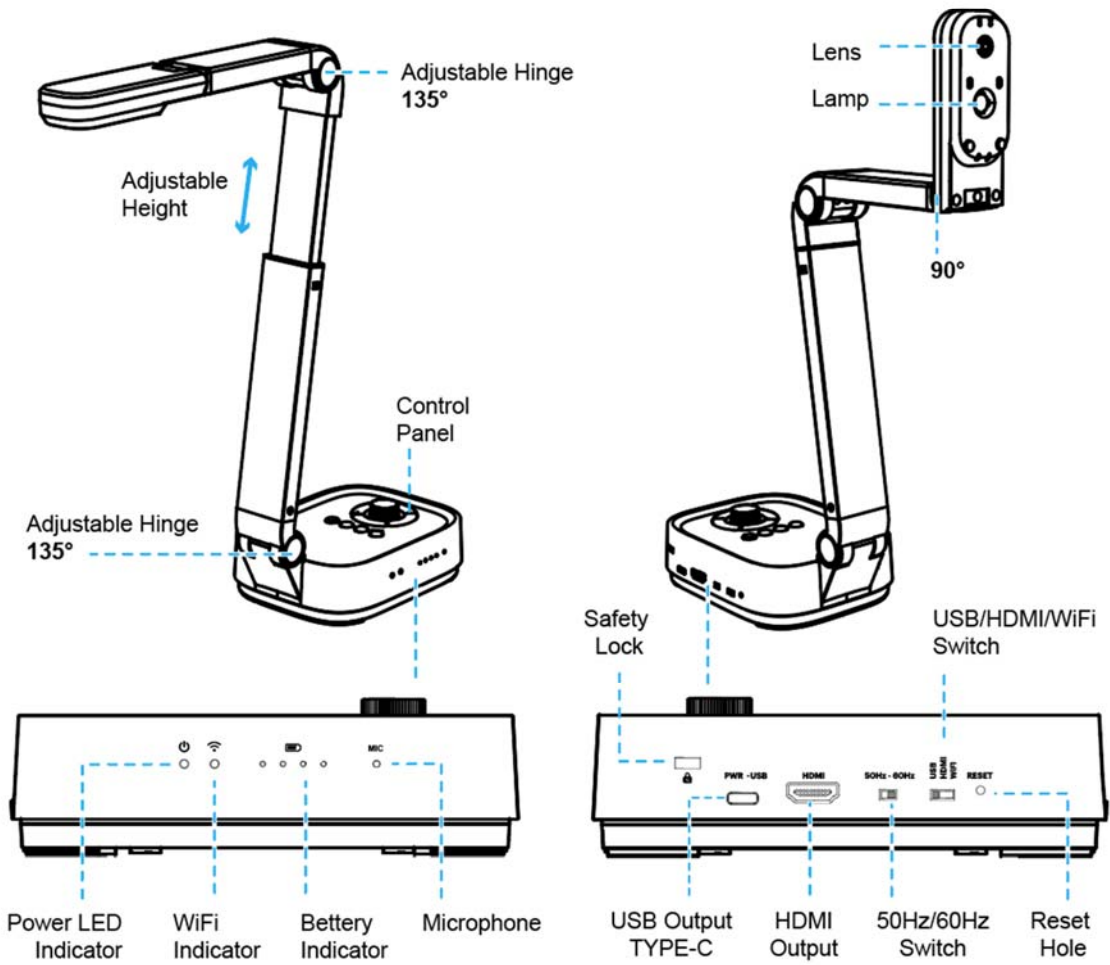
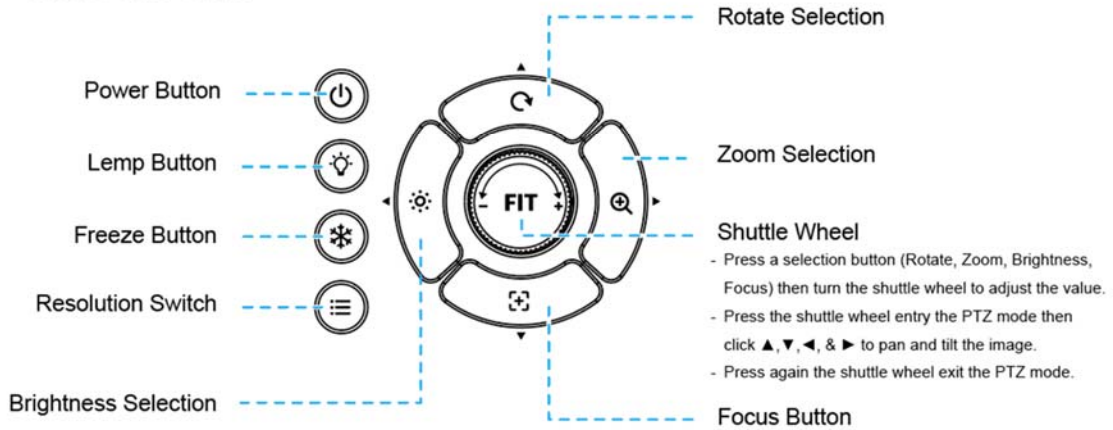
Before use, make sure the following items are included in the package. If anything is missing, contact the retailer where you purchased the product.

1. 4K Wireless Document Camera
2. USB Type-C Cable
3. Quick Start Guide
4. Warranty Card
5. Power Adapter



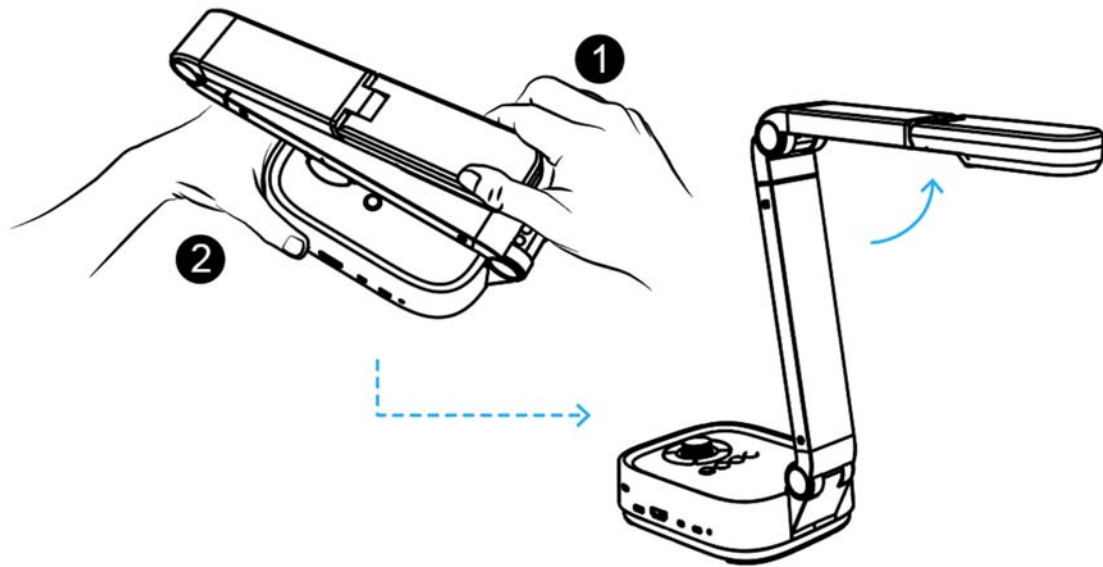
Step 4. Parts Descriptions

Control Panel

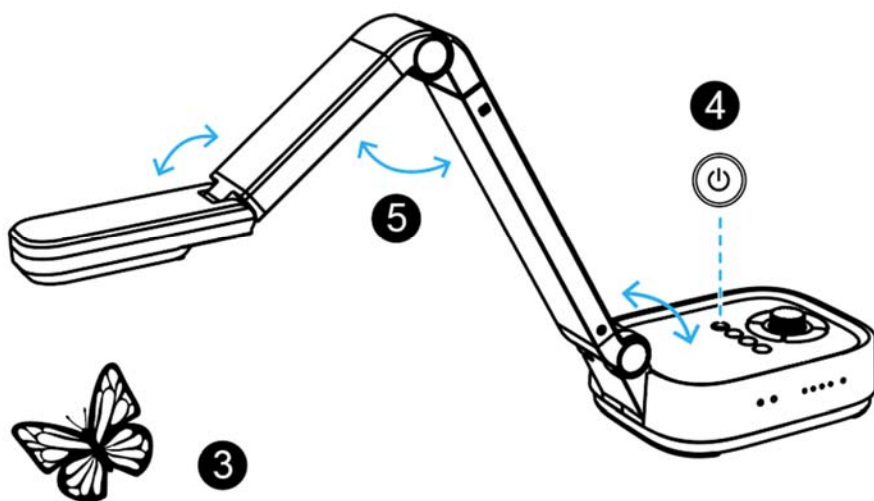


Step 5. Start Using

1. Start by lifting the camera head.
2. Press against the base plate of the device.



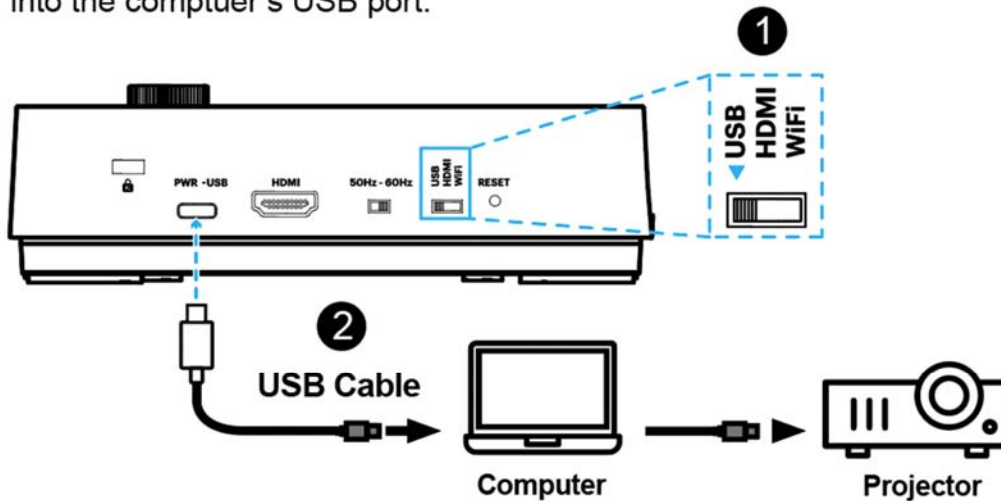
3. Place an object to be displayed under the camera.
4. Press the power button to turn on the power.
5. Adjust the arm to change the height and position for capturing your object.



Step 6. USB & HDMI Connections

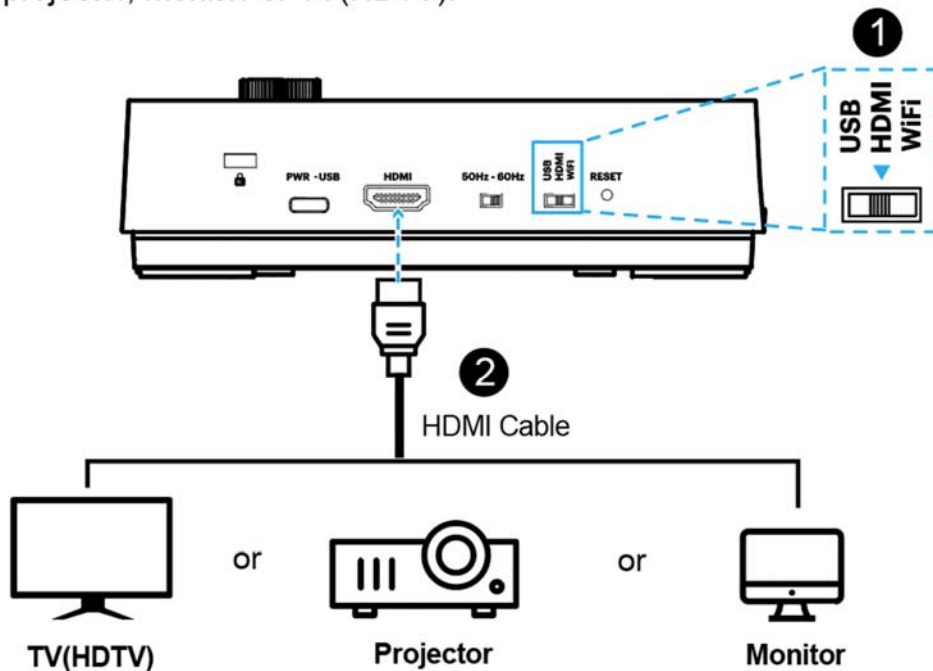
USB Mode Connection

1. Switch to the USB connection mode.
2. Plug the supplied USB type-C cable to the P4W and connect another end into the computer's USB port.



HDMI Mode Connection

1. Switch to the HDMI connection mode.
2. Plug the HDMI cable to the P4W device and connect the other end into a projector, monitor or TV(HDTV).



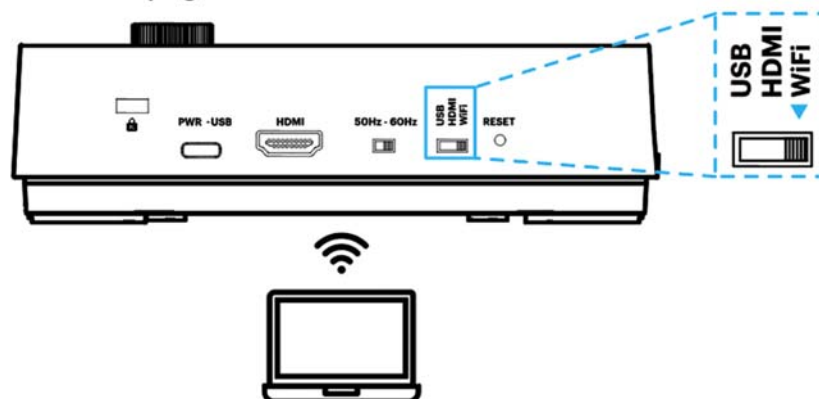
Step 7. Wi-Fi Connection

Network Connection

1. Switch to the Wi-Fi mode and the Wi-Fi LED indicator will be emitted Green light with flashing.
2. Open the wireless network list on the computer.
3. Select the [P4W_5G_xxxxxx] in the network list, and input the password for connection (default: 88889999) to start the connection.
4. When the connection is successful, the Wi-Fi LED indicator will emit Green light.

Log in to the web page

1. Open the web browser, and enter the default IP [192.168.100.1] in the address bar.
2. Enter the login account [admin] and default password [9999], and click Login.
3. After logging to the web page, you can do the live preview and configure the settings on the web page.



Download Software

VIISAN P4W is a standard UVC camera, you can use it with a variety of software as long as they recognize the video source coming from a UVC camera. For example, you can use it with third-party video conferencing software like Zoom, Microsoft Teams, or Google Meet. However, to get the full functionality of this 4K document camera, we'd recommend using it with VIISAN VisualCam software and you can download this free software from VIISAN's website at the below link.

<https://www.viisan.com/en/download/index.html>



VIISAN Technology Co., Ltd.

www.viisan.com

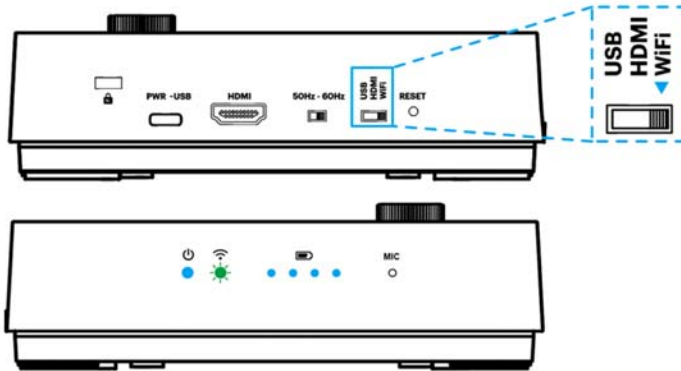
Customer service: info@viisan.com

P4W Wireless Visualizer Wi-Fi Connection Instruction

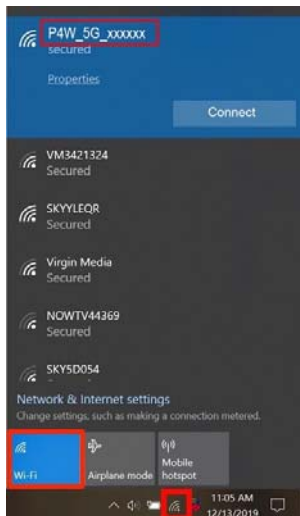
V1.1

WiFi AP Mode Connection

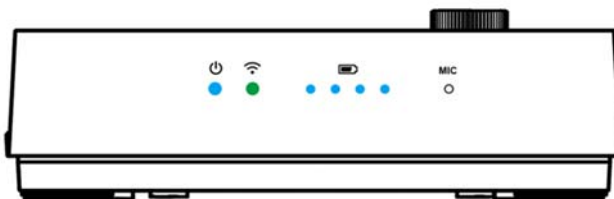
1. Switch to the Wi-Fi mode and the Wi-Fi LED indicator will be emitted green with flashing.



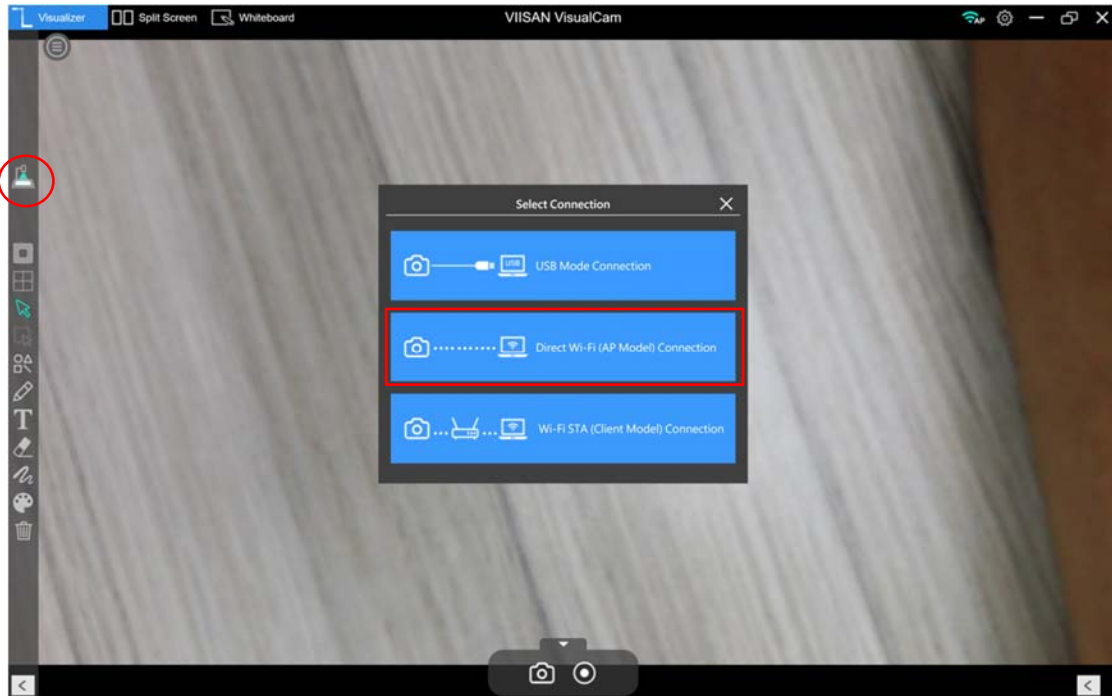
2. Open the wireless network list on the computer then select the [P4W_5G_XXXXXX] in the network list and input the password for connection (default: 88889999) to start the connection.



3. When the connection is successful, the Wi-Fi LED indicator will emit green light.



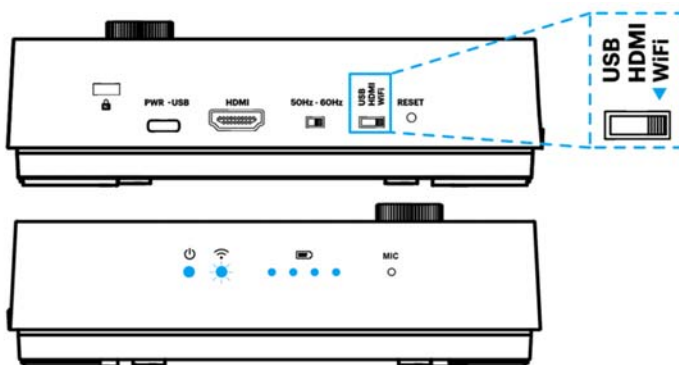
4. Launch VisualCam software and select the connection mode to “**Direct Wi-Fi (AP Mode) Connection**”.



PS. When the direct Wi-Fi AP mode is connected, the Internet will be disconnected.

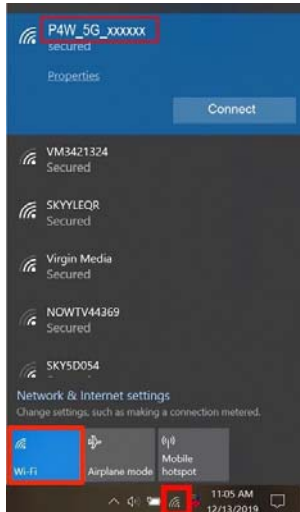
WiFi Client (STA) Mode Connection

1. Switch to the Wi-Fi mode and the Wi-Fi LED indicator will be emitted blue light with flashing.

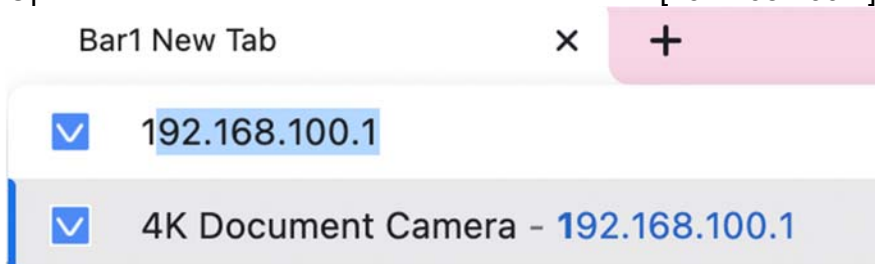


2. Open the wireless network list on the computer then select the

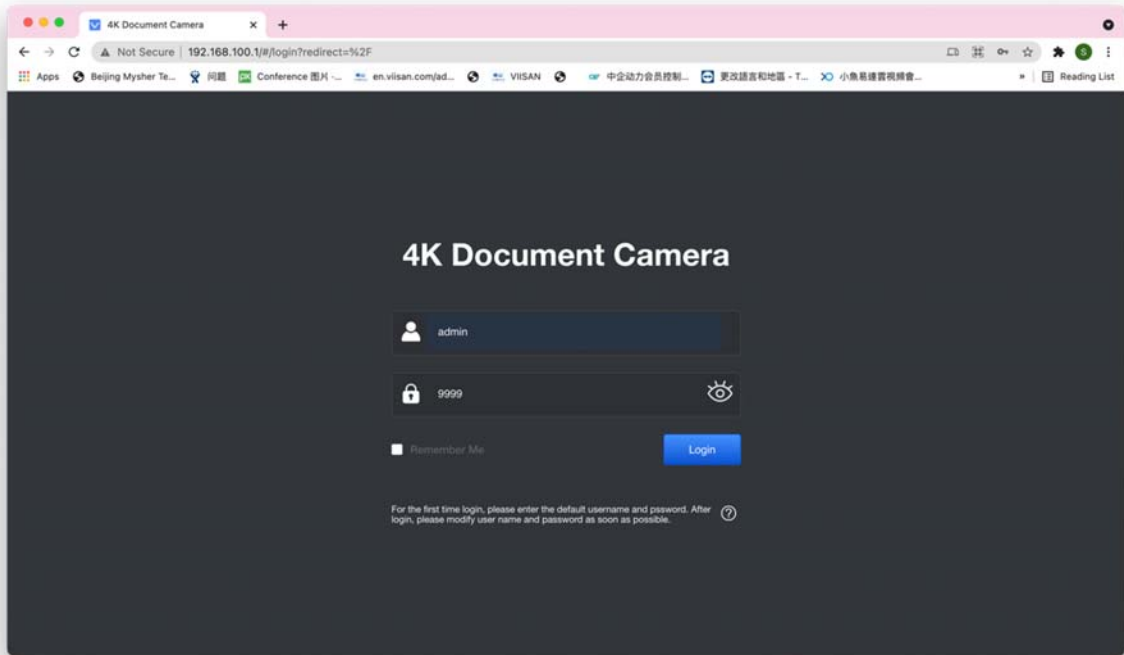
[P4W_5G_xxxxxx] in the network list and input the password for connection (default: 88889999) to start the connection.



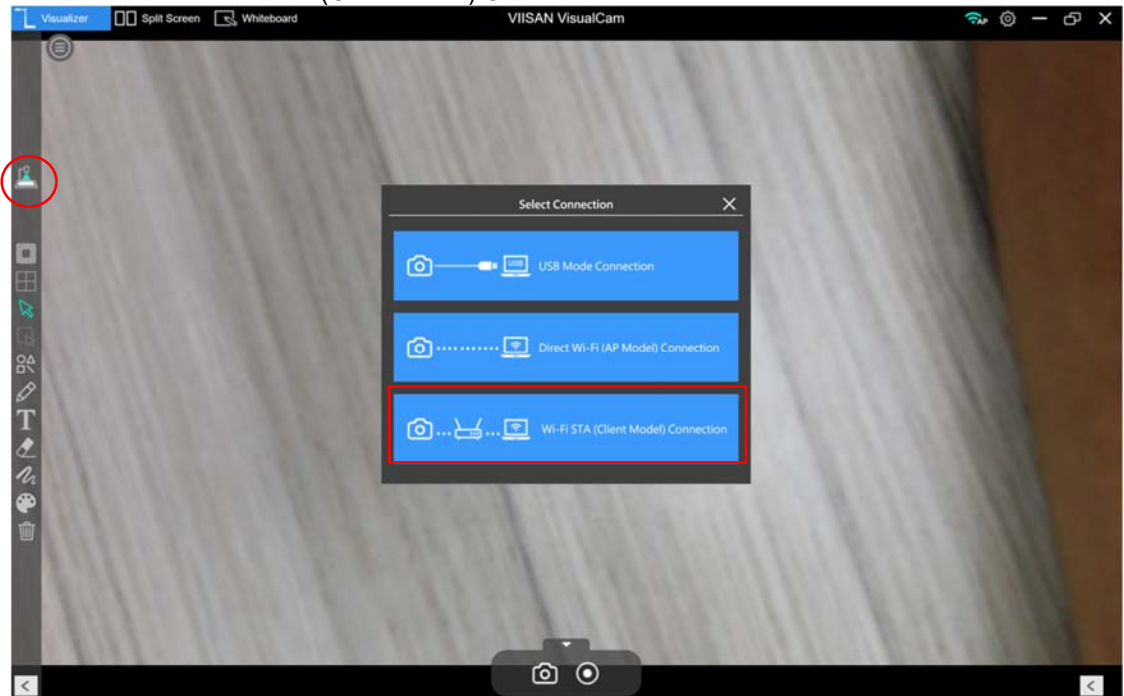
3. Open the web browser and enter the default IP [192.168.100.1] in the address bar.



4. Enter the login account [admin] and default password [9999] and click Login.



5. After logging to the web page, you can do the live preview and configure the settings on the web page. When the STA mode is configured. Launch VisualCam software and select the connection mode to "WiFi STA (Client Mode) Connection".

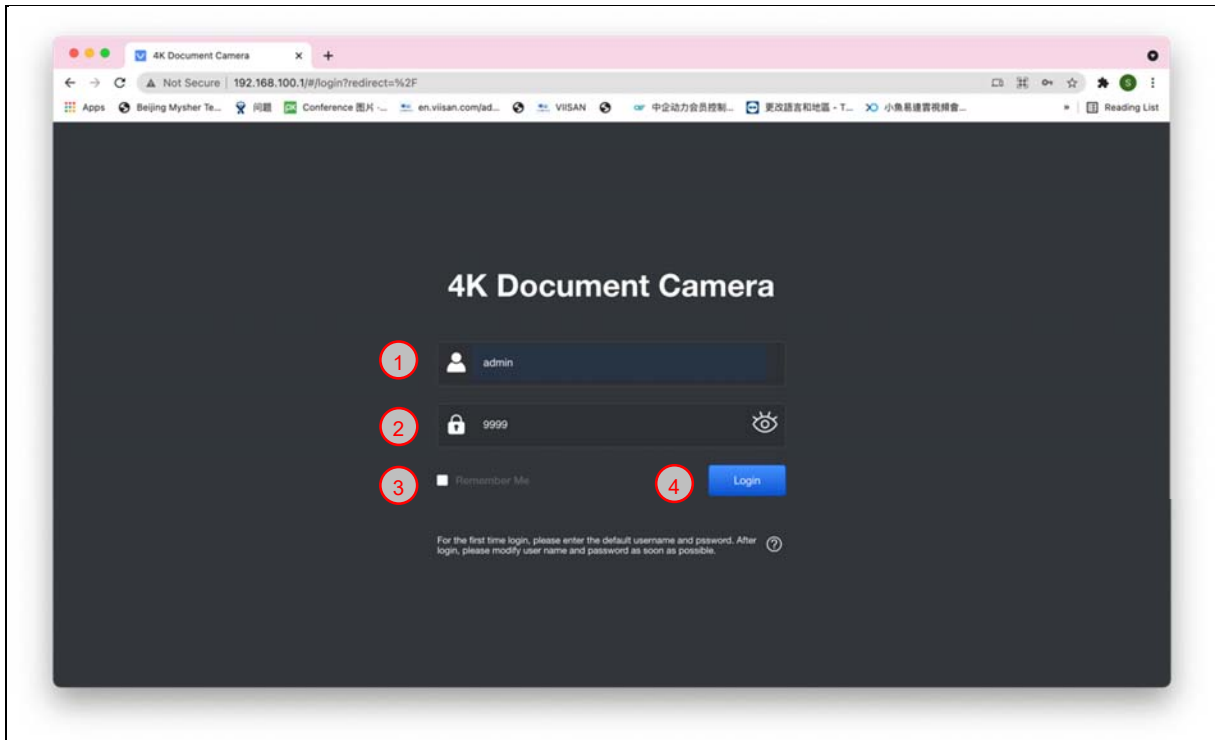


Web Page Settings Instruction

V1.1

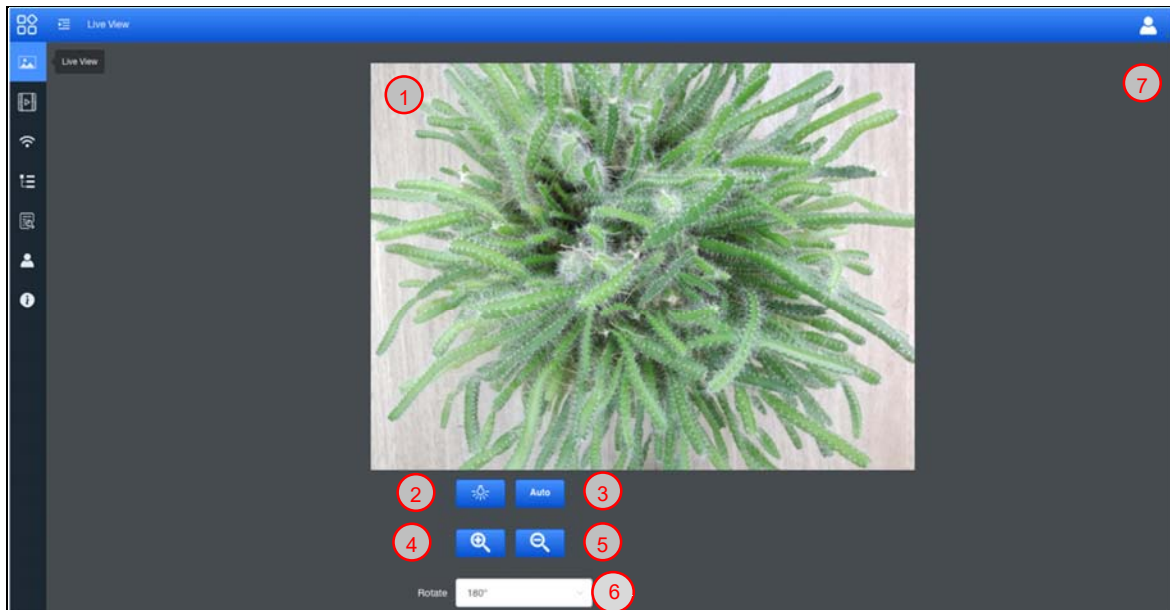
Web Page Menu Function Description

1. Login Screen



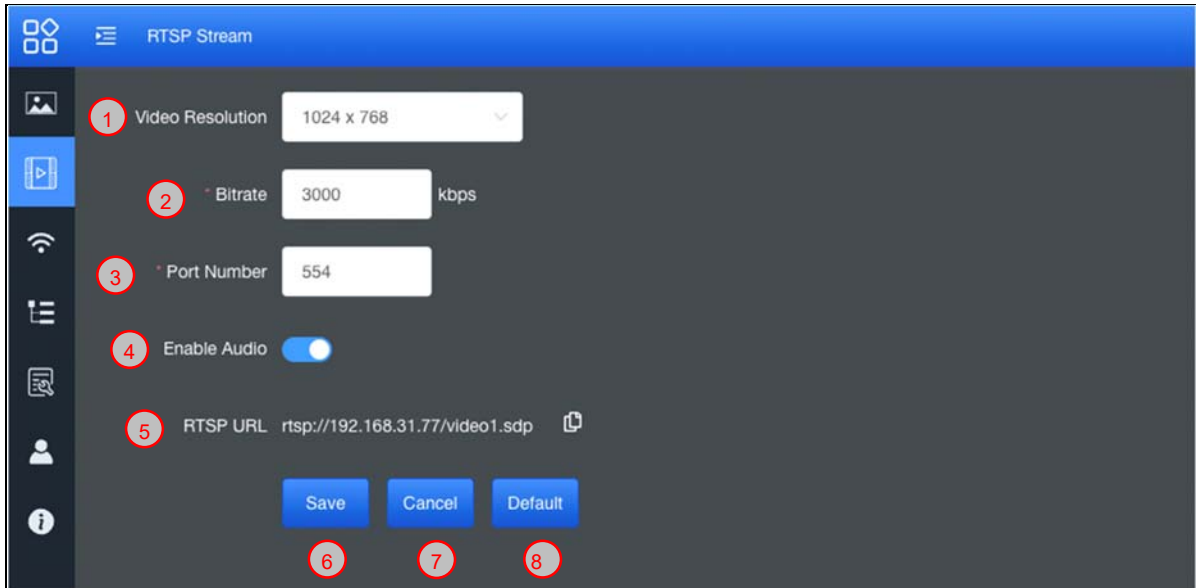
No	Item	Function Descriptions
1	User Login Account	Enter user login account (default: admin)
2	User Password	Enter user password (default: 9999)
3	Remember user account and password	Save user login account and password to the browser. When you log in next time, there is no need to re-enter them
4	Login	Log into the administrator screen on the website

2. Live Viewing



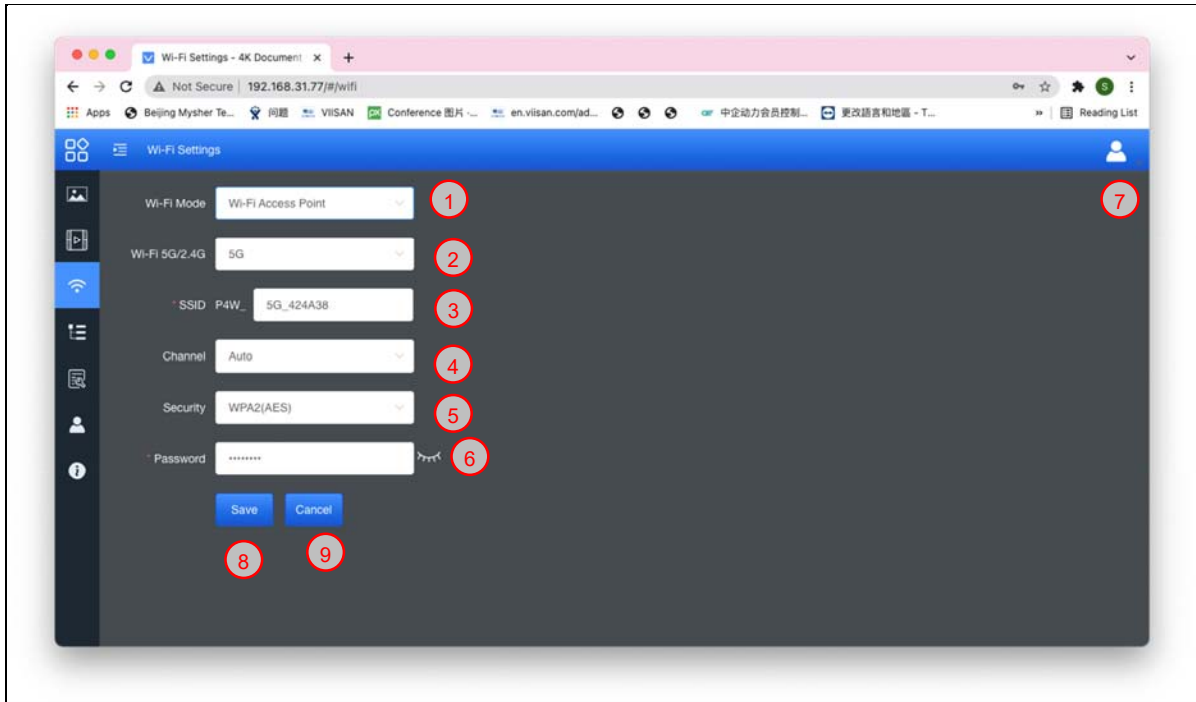
No	Item	Function Descriptions
1	Preview window	Display the screen currently captured by P4W
2	Autofocus	Automatically adjust the image to have the best brightness and focusing performance
3	Lamp mode toggle switch	Click lamp mode toggle switch: off / brightness 1 / brightness 2 / brightness 3
4	Zoom In	Zoom in image
5	Zoom Out	Zoom out image
6	Rotate the image	Rotate the image: 0° / 90° / 180° / 270° / Flip / Mirror
7	Logout	Log out of the web page

3. RTSP Streaming Settings



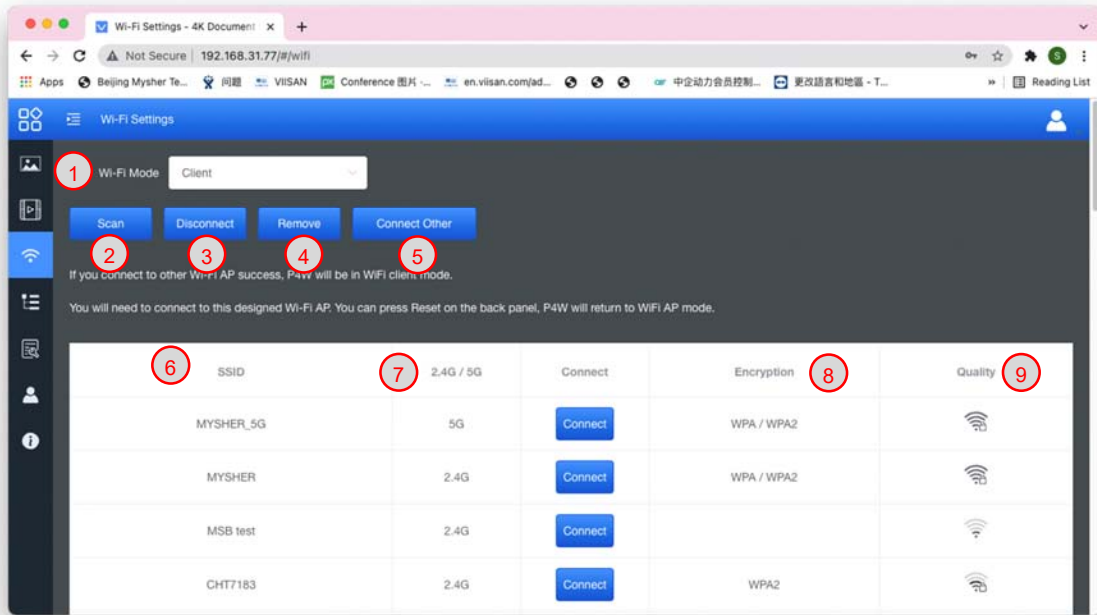
No	Item	Function Descriptions
1	Resolution	Show or set the RTSP output resolution and fps
2	Bit Rate (kbps)	Show or set the RTSP Bit rate (0 ~ 20000)
3	Port Number	Set the RTSP port (0 ~ 10000)
4	Audio Setting	Turn on/off RTSP audio
5	RTSP URL	Show current RTSP URL connection
6	Save	Save and change the RTSP streaming settings
7	Cancel	Cancel without saving
8	Default	Restore to default

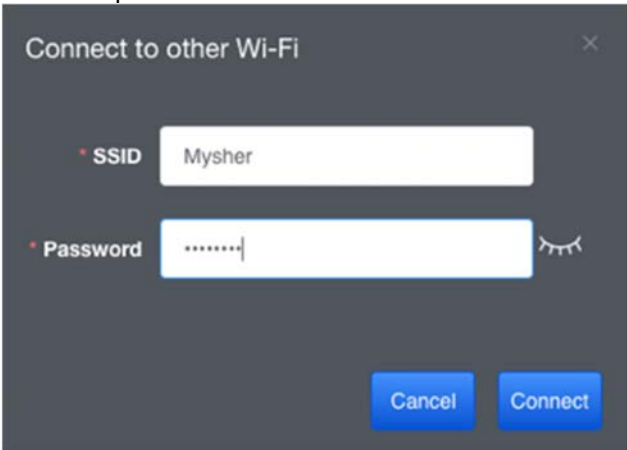
4. Wi-Fi Setting (Access Point Mode)



No	Item	Function Descriptions
1	Wi-Fi Mode	Select Access Point or Client Mode
2	Wi-Fi 5G/2.4G	Switch between 5G / 2.4G under Wi-Fi Access Point mode
3	Device Name (SSID)	Device name of wireless network
4	Channel	Select the channel based on different regions
5	Security	Wi-Fi encryption setting
6	Password	Connect the Wi-Fi SSID password
7	Show Password	Show the Wi-Fi SSID password
8	Save	Save and change the wireless network settings
9	Cancel	Cancel without saving

5. Wi-Fi Setting (Client Mode)



No	Item	Function Descriptions
1	Wi-Fi Mode	Select Access Point or Client Mode
2	Scan	Scan nearby wireless network devices
3	Disconnection	Disconnect from current wireless network device
4	Remove	Remove the selected wireless network device from the list
5	List of Wi-Fi Wireless Network Device Names	Click the wireless device and the following image will be displayed. Enter the password to connect to various wireless network devices 
6	Device Name	Device name of wireless network
7	Connection Status	Display the wireless network device to which P4W is currently connecting. If connected, the corresponding field of said wireless device will display "Connected", otherwise it would stay blank
8	Encryption	The current encryption setting of the wireless network device
9	Signal Status	Show the degree of the Wi-Fi signal

6. System Network Information

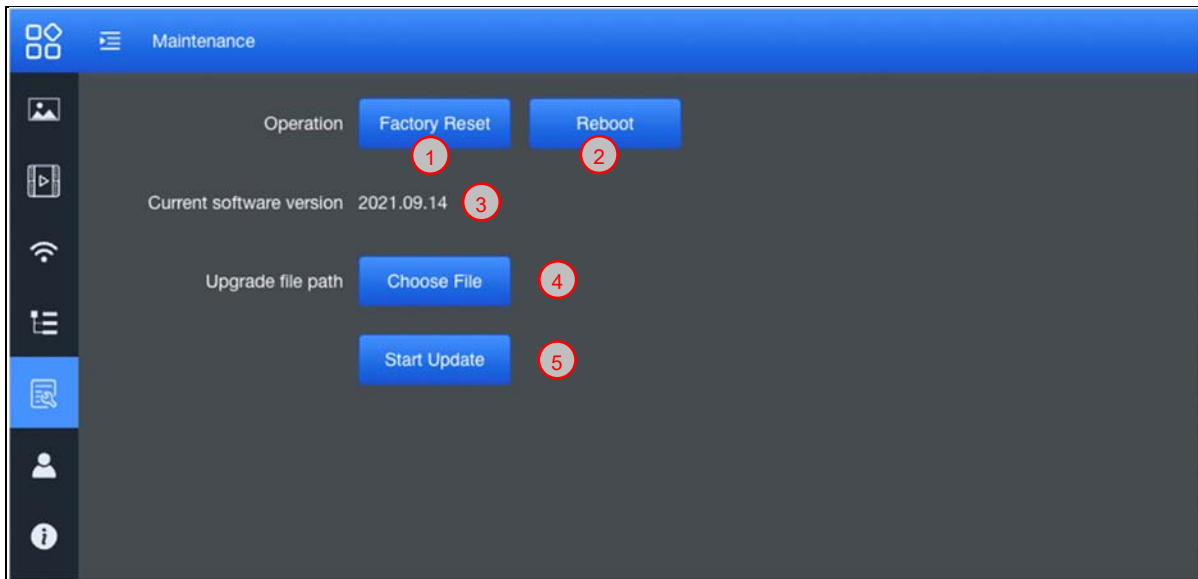
The screenshot shows a web interface for configuring network settings. The sidebar on the left contains several icons, with the 'Network' icon highlighted in blue and a red circle containing the number '1' next to it. The main content area is titled 'Network' and contains the following fields:

- Wi-Fi Mode: Client (with a 'Modify' button)
- IP Assignment: DHCP (dropdown menu)
- IP Address: 192.168.31.77
- Subnet Mask: 255.255.255.0
- Gateway: 192.168.31.1
- Primary DNS Server: 192.168.31.1
- Secondary DNS Server: (empty field)

At the bottom of the form are 'Save' and 'Cancel' buttons.

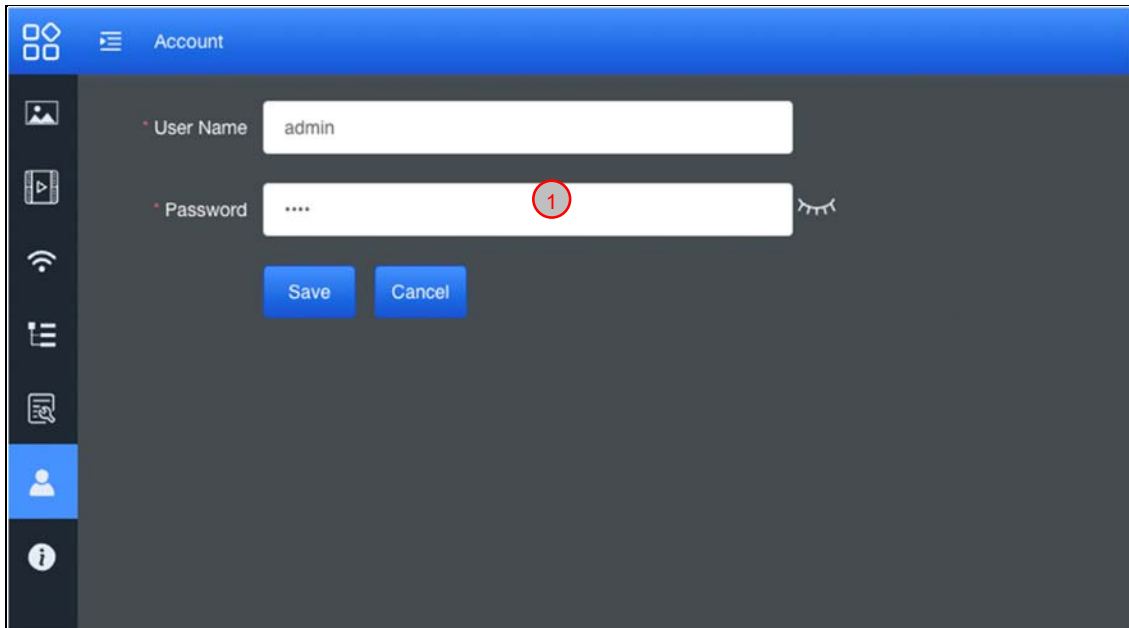
No	Item	Function Descriptions
1	Network	The network setting of this P4W device. When the DHCP function is closed, click edit to enter edit mode and change the network setting.

7. Maintenance



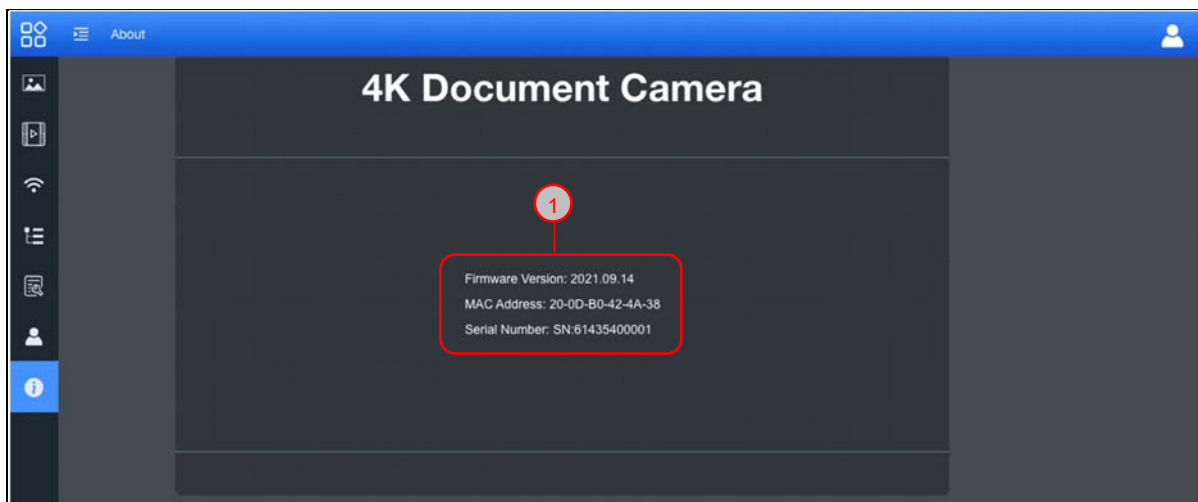
No	Item	Function Descriptions
1	Reset to the default value	Select the reset button to resume the factory default setting as the web page setting
2	Reboot	Click the reboot button and reboot the device
3	Current Firmware version	Display current firmware version
4	Upgrade file path	Choose firmware *.appsw file
5	Start Update	Click and start update the firmware

8. User Account



No	Item	Function Descriptions
1	User Name	Allow modify the user login account (default: admin)
2	Password	Allow modify the login password (default: 9999)
3	Save	Save and change the wireless network settings
4	Cancel	Cancel without saving

9. About



No	Item	Function Descriptions
1	Related Information	Display information about the manufacturing of this device

Supplier's Declaration of Conformity

47 CFR § 2.1077 Compliance Information

Manufacturer : Beijing Viisan Technology Co., Ltd.

Product Name : 4K Wireless Document Camera

Model Number : P4W

Responsible Party – Contact Information

Supplier : Beijing Viisan Technology Co., Ltd.

Unit A311, Information Center, ZhongGuanCun Software Z-Park HaiDian District, Beijing, 100193 China

e-mail : info@viisan.com

FCC Compliance Statement

Changes or modifications not expressly approved by the party responsible for compliance could void the user's authority to operate the equipment.

This equipment has been tested and found to comply with the limits for a Class B digital device, pursuant to Part 15 of the FCC Rules. These limits are designed to provide reasonable protection against harmful interference in a residential installation. This equipment generates uses and can radiate radio frequency energy and, if not installed and used in accordance with the instructions, may cause harmful interference to radio communications. However, there is no guarantee that interference will not occur in a particular installation. If this equipment does cause harmful interference to radio or television reception, which can be determined by turning the equipment off and on, the user is encouraged to try to correct the interference by one or more of the following measures:

- Reorient or relocate the receiving antenna.
- Increase the separation between the equipment and receiver.
- Connect the equipment into an outlet on a circuit different from that to which the receiver is connected.
- Consult the dealer or an experienced radio/TV technician for help

This device complies with part 15 of the FCC rules. Operation is subject to the following two conditions

(1) this device may not cause harmful interference, and (2) this device must accept any interference received, including interference that may cause undesired operation.