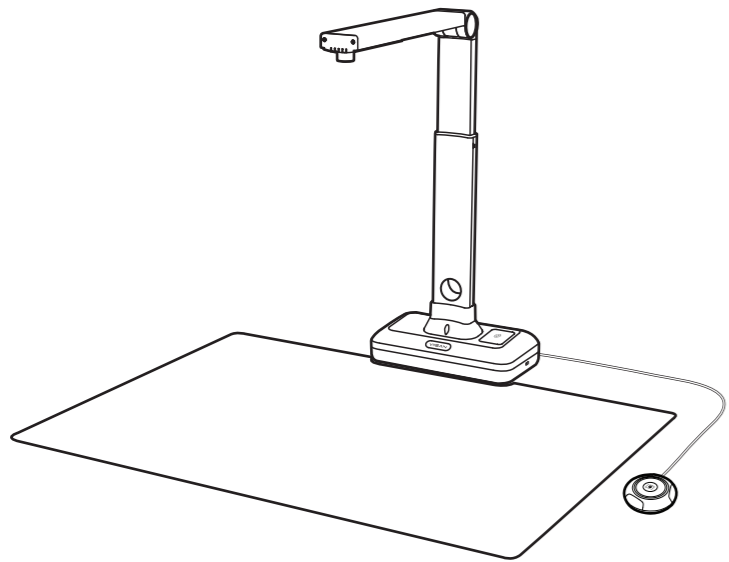


VIISAN®

S21 Document Camera

Quick Start Guide



Please read this guide before using the product.

Step 1. Instructions

Thank you for purchasing the VIISAN document camera. This device is an A2-size document camera for use on desktop and laptop via USB connection. This quick start guide briefly describes the steps to start using this document camera. If you have any technical or service questions about the product, please E-mail our customer service using info@viisan.com then we will provide you with service and support.

Limited Warranty

This product provides limited warranty continues for one (1) year from the date of purchase.

Warranty Exclusions

- The following circumstances excluded from warranty coverage:
- Product damage caused by catastrophes, thunder stroke, faulty electric power, and environmental factors.
 - Defacing of product labeling (label alterations and falsifying, serial number missing, serial number no longer discernible, serial number invalid). All serial numbers are recorded and tracked for warranty purposes.
 - Unauthorized changes of non-parts, modifications or alterations, parts removal in or to the products.
 - Damage caused by operator error or operator fails to comply user manual instruction, such as, but not limited to improper storage resulting in product get wet, corrosion, ell off, squeezed or exposed to inadequate temperature/humid environment.
 - Accessories or packing material such as boxes, user manual, etc.

Safety & Environmental Information

- This device complies with part 15 of the FCC rules and CE certification.
- Discarded electrical and electronic appliances are recyclable and should separate from household waste. Please actively support in conserving resources and protecting the environment by returning this appliance to the collection centers.

System Requirements

Intel i3 Processor or Higher
USB 2.0 Jack
At least 4GB RMB (Recommended 8GB)
20GB Available HDD Space
Microsoft® Windows® 10、8.1、8、7
macOS® 10.12 or later



Step 2. Specifications

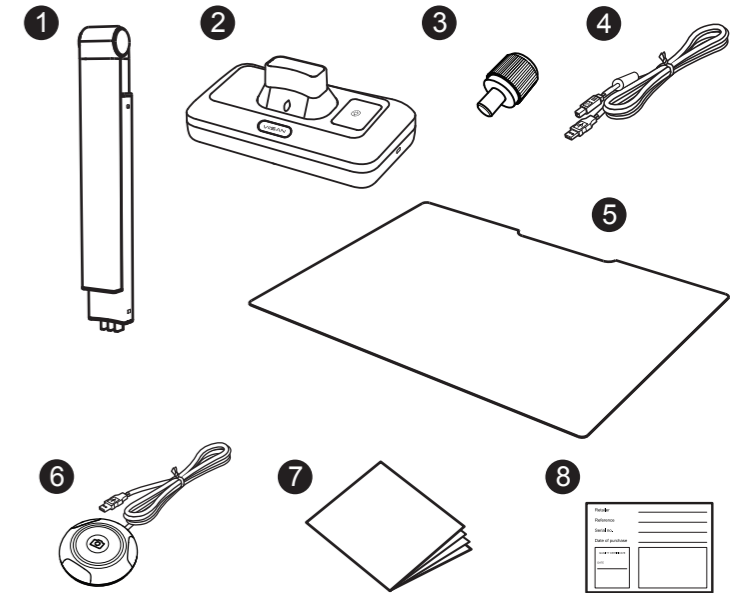
Image Sensor	20.1-Megapixel CMOS Sensor
Max. Resolution	Software Interpolation: 5504x4128 Pixels (23MP) Optical: 5088x3904 Pixels (20.1MP)
Max. Shooting Area	A2 (594x420) mm
Color Bit Depth	24-bit
Lens Focus	Fixed
Light Source	Built-in LED (3-level control)
Scanning Speed	1 second per page (Note: Results may vary depending upon your computer processor, and system memory.)
Software File Output	Image: JPG Document: PDF, Word, Excel, Text Text To Speech: MP3, WAV (Note: The Text To Speech function is only available on Windows software) Video: AVI, MP4, FLV, (MOV for masOS only)
Video Streaming (FPS)	Video mode: 1920 x 1080@30fps Software Preview Window: 2048 x 1536@15fps
Interface	USB 2.0 Type B x 1 (For PC Connection) USB 2.0 Type-A x 1 (For USB Extension)
Power	5V / 1A by USB-Powered
Dimensions	Folded size: 112 x 210 x 395 mm Working size: 360 x 210 x 355 mm in A3 status Working size: 360 x 210 x 475 mm in A2 status
Net Weight	Approx. 1kg
Compatible Software	OfficeCam for Windows DeskCam for Mac (Support Apple M1-Chip Macs)

Note: Specifications are subject to change without notice.

Step 3. Unpacking

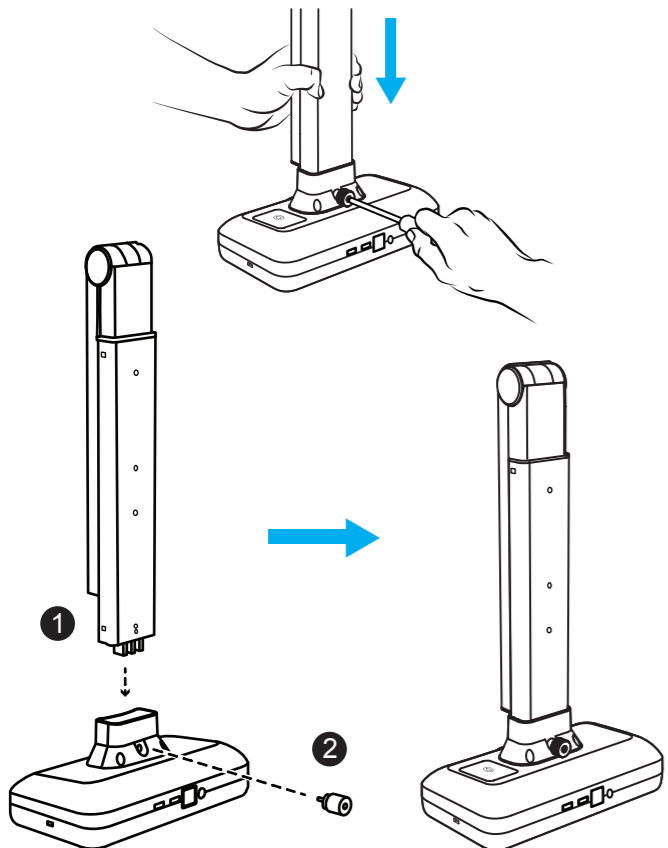
Before use, make sure the following items are included in the package. If anything is missing, contact the retailer where you purchased the product.

1. Camra Arm Module
2. Base Module
3. Screw
4. USB Cable
5. Scanning Pad
6. Hand Button
7. Quick Start Guide
8. Warranty Card

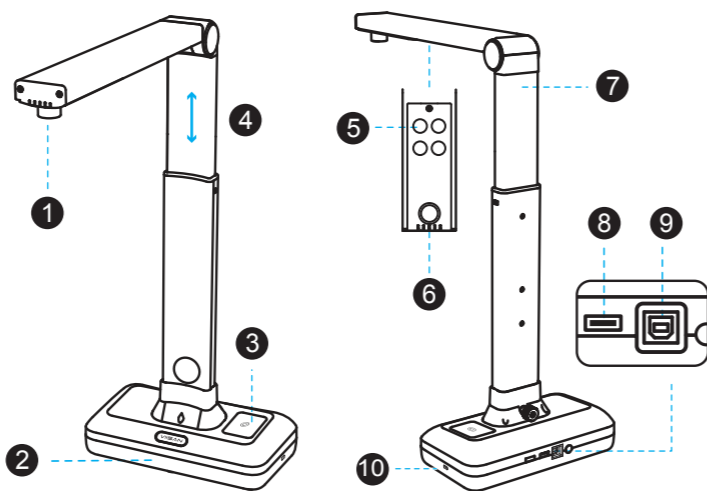


Step 4. Assemble the Document Camera

1. Hold the camera arm and lining up the holes in the base then insert it.
2. Securing it with the included screw by using the handy screwdriver.



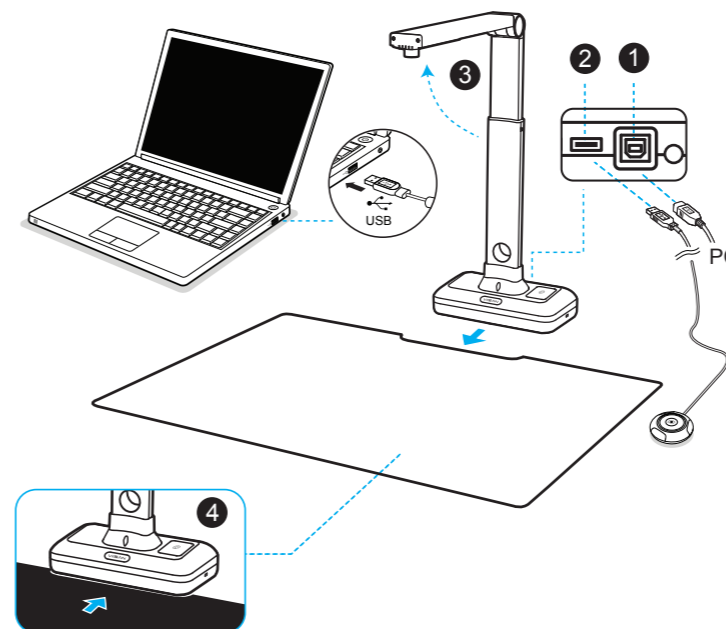
Step 5. Parts Descriptions



1	Camera Lens
2	Base
3	LED Touch Switch
4	Adjustable Arm (It allows to change the height for capturing your material)
5	LED Lamp x 4 pcs
6	Built-in Microphone
7	Foldable Hinge
8	USB Hub for Hand Button Connection
9	USB Socket for PC Connection
10	Lock Slot

Step 6. Setting Up & Connecting to a Computer

1. Plug the supplied USB cable to the back of the document camera and connect another end into an available USB port on your computer.
2. Plug the supplied external [Hand Button] into the USB hub on the back of the document camera.
3. Place the scanning pad in front of the document camera.
4. Unfolding the arm to lifting the camera head.



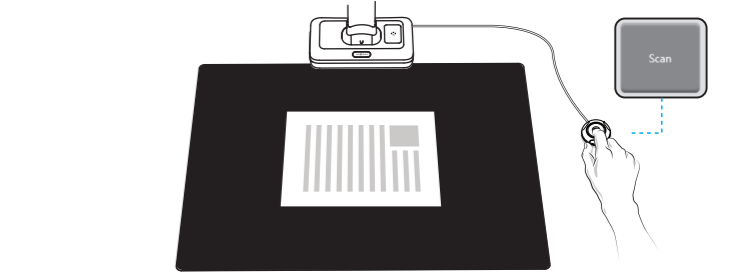
NOTE: Ensure the scanning pad is in contact with the scanner base.

Step 7. Download & Using Compatible Software

Before using the S21 document camera, please go to the following website to download compatible software.



Launch the software and place a document facing up on the center of the black scanning pad and then click the [Scan] button to perform scanning.



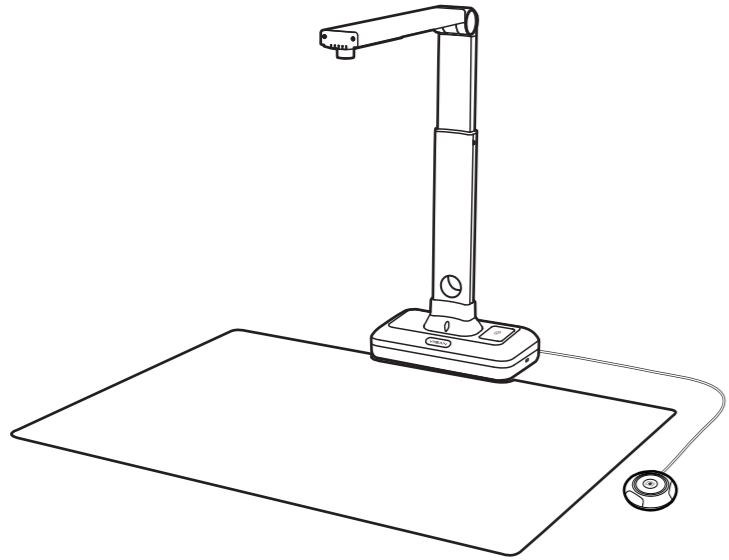
For the more detailed operation of compatible software, you can watch the video tutorials or download user's manual from VIISAN's support center at <https://www.viisan.com/en/support/list.html>



VIISAN Technology Co., Ltd.
www.viisan.com
Customer service: info@viisan.com

VIISAN®

S21 智能拍摄仪 快速安装指南



使用前请先阅读此使用指南

步骤1. 产品介绍

感谢您购买VIISAN维山拍摄仪，该设备是款A2尺寸智能拍摄仪，可透过USB连接桌机或笔记本电脑使用，此快速入门指南提供简要介绍如何开始使用此拍摄仪产品，如果您对该款产品有任何技术或服务问题，请通过info@viisan.com向我们的客户服务发送电子邮件，我们将为您提供服务和支

产品保固

本产品提供一年保固从购买日期开始。

非保固范围

下列情形不在保固范围内：

- 因天灾、地变、雷击、异常电压、环境因素而发生之故障或毁损者。
- 重贴、伪造变造产品序号条码，或条码遭毁损而无法辨识保固限期者。
- 自行或委托未经原厂授权维修之厂商拆卸、改装或更换非原厂零件。
- 未按使用手册规定操作或因人为不当使用而造成损坏者：包括但不限于不当之放置致产品浸水、腐蚀、掉落、挤压或露在异常之温度、湿度环境下。
- 产品本体以外支付配件：如纸盒、说明书、传输线材等...附配件。

安全及规范

- 本产品符合中国国家标准CCC 认证规范，请安心使用。
- 本产品上有此标志表示电子或电器设备使用寿命结束后，必须将它和一般庭废弃物分开处理。请积极支持节约能源和环境保护，依照当地资源回收的分类方式回收。



系统要求

Intel i3 处理器或更高
光驱
USB 2.0插孔
至少4GB RMB (建议使用8GB)
20GB可用硬盘空间
Microsoft®Windows®10、8.1、8、7
macOS® 10.12 或更新版本

步骤2. 规格参数

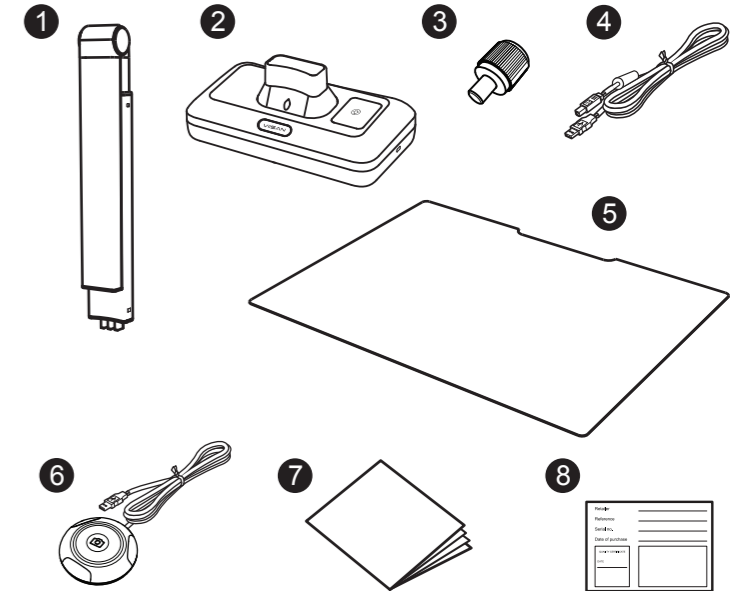
影像感测器	2010萬像素CMOS感测器
最大分辨率	软件插值：5504 x 4128像素 (2300萬) 光学：5088 x 3904像素 (2010萬)
最大拍摄区域	A2 (594 x 420毫米)
色位深度	24位
镜头对焦	固定焦距
光源	内置LED燈 (三级控制)
扫描速度	约每页1秒 (注意:实际扫描速度取决于计算机处理器效能和内存)
输出格式:	图片格式: PG 文档格式: PDF, Word, Excel, 文字 文字转语音格式: MP3, WAV (注意:文字转语音功能仅在Windows软件上可用)
视频流 (FPS)	视频格式: AVI, MP4, FLV (MOV仅适用于macOS) 视频模式: 1920 x 1080 @ 30fps 软件预览窗口: 2048 x 1536 @ 15fps
接口	USB 2.0 B型x1 (用于PC连接) USB 2.0 Type-A x1 (用于USB Hub扩展)
电源	5V / 1A (USB 供电)
机台尺寸	收纳折叠后尺寸: 112x210x395毫米 A3状态下展开尺寸: 360 x 210 x 355 毫米 A2状态下展开尺寸: 360 x 210 x 475 毫米
净重	约1公斤
兼容软件	OfficeCam 适用于Windows DeskCam 适用于macOS (支持苹果最新M芯片Mac)

注意：规格如有更改，恕不另行通知。

步骤3. 开箱包装

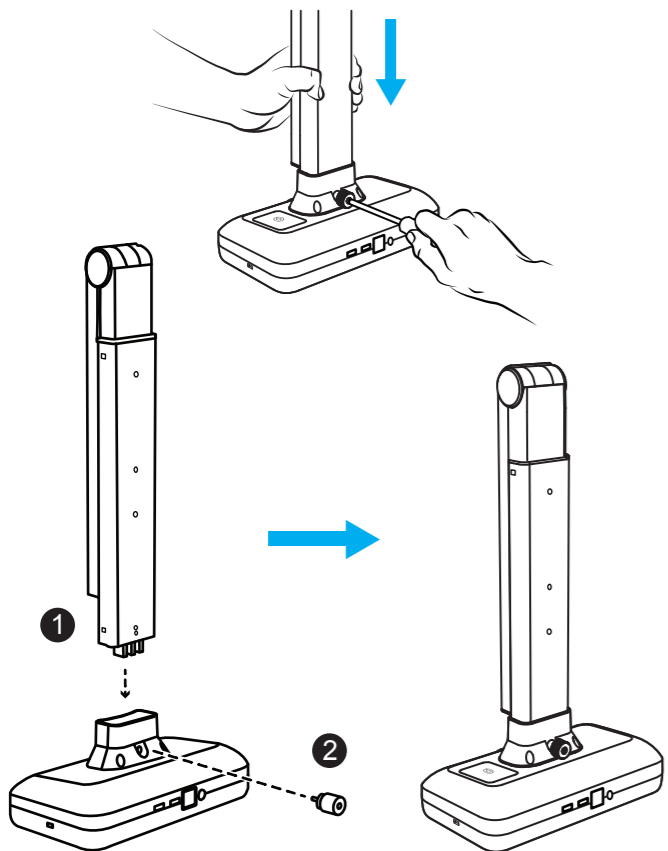
使用前，请确保包装内容中有包含以下物品，如果任何内容配件遗漏，请联系您所购买此产品的商家。

1. 拍摄仪支臂模组
2. 底座
3. 螺丝
4. USB线
5. 扫描软垫
6. 手动按钮
7. 快速安装指南
8. 保修卡

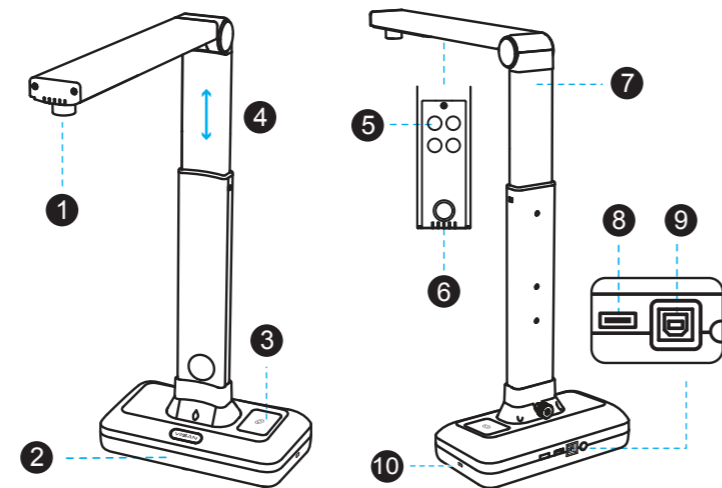


步骤4. 硬件安装

1. 握住摄像头支臂并对准底座上的孔位，然后将其插入。
2. 锁上螺丝将摄像头支臂与底座固定。



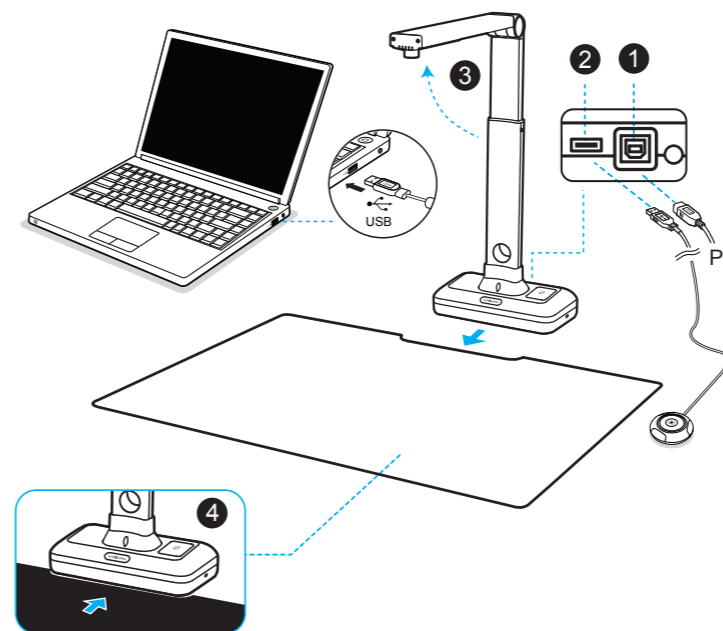
步骤5. 部件说明



1	相机镜头
2	底座
3	LED轻触开关
4	相机支臂 (可以调整高度来拍摄您的文件)
5	LED灯 x 4个
6	内置麦克风
7	可折叠关节
8	USB扩展孔, 用于连接手动按钮
9	USB插座, 用于连接计算机
10	防盗锁槽

步骤6. 连接硬件

1. 将随附的USB电缆插入拍摄仪的背面连线端口，另外将另一端连接到电脑上可用的USB端口上。
2. 将随附手动按钮插入于拍摄仪底座背部USB 拓展孔。
3. 将拍摄仪放置扫描软垫前面。
4. 展开拍摄仪摄像头关节。



注意：确保扫描垫与拍摄仪底座接触。

步骤7. 下载及使用兼容软件

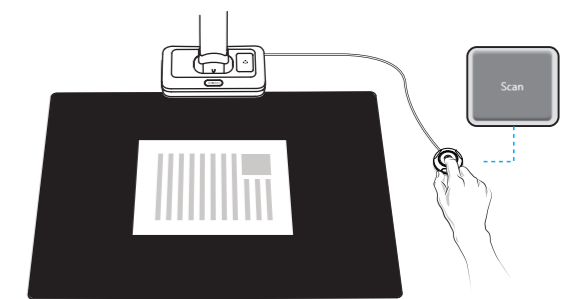
在使用S21拍摄仪之前，请访问以下网站下载兼容软件。



根据您的操作系统下载并安装兼容软件

- OfficeCam (维山闪拍) 适用于微软系统
- DeskCam 适用于苹果系统 (支持苹果最新M1芯片Mac)

启动软件后，将扫描文档面朝上放在黑色扫描软垫中央，然后单击[扫描]按钮进行扫描。



有关更多兼容软件的详细操作内容，您可以连接VIISAN维山线上客服中心 <https://www.viisan.com/cn/support/list.html> 观看使用视频教程或下载软件使用手册。



北京维山科技有限公司
www.viisan.com
客服邮箱: info@viisan.com