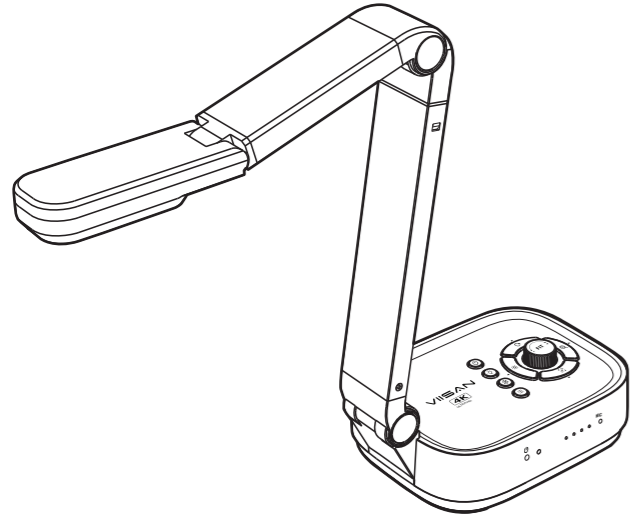


P4H 4K Document Camera

Quick Start Guide



Please read this guide before using the product.

Step 1. Instructions

Thank you for purchasing the VIISAN product. The P4H is a high-quality and easy-to-use and 4K Visualizer/Document Camera. With HDMI and USB plug-n-play connection, the P4H is a perfect device for use in the classroom and distance learning. This quick start guide briefly describes the steps to start using this document camera. If you have any technical or service questions about the product, please E-mail our customer service using info@viisan.com then we will provide you with service and support.

Limited Warranty

This product provides limited warranty continues for one (1) year from the date of purchase.

Warranty Exclusions

The following circumstances excluded from warranty coverage:

- Product damage caused by catastrophes, thunder stroke, faulty electric power, and environmental factors.
- Defacing of product labeling (label alterations and falsifying, serial number missing, serial number no longer discernible, serial number invalid). All serial numbers are recorded and tracked for warranty purposes.
- Unauthorized changes of non-parts, modifications or alterations, parts removal in or to the products.
- Damage caused by operator error or operator fails to comply user manual instruction, such as, but not limited to improper storage resulting in product get wet, corrosion, ell off, squeezed or exposed to inadequate temperature/humid environment.
- Accessories or packing material such as boxes, user manual, etc.

Safety & Environmental Information

- This device complies with part 15 of the FCC rules and CE certification.
- Discarded electrical and electronic appliances are recyclable and should separate from household waste. Please actively support in conserving resources and protecting the environment by returning this appliance to the collection centers.

System Requirements

Intel i5 Processor or Higher
USB Port
At least 4GB RMB (Recommended 8GB)
20GB Available HDD Space
Windows & Chrome Extension



Step 2. Specifications

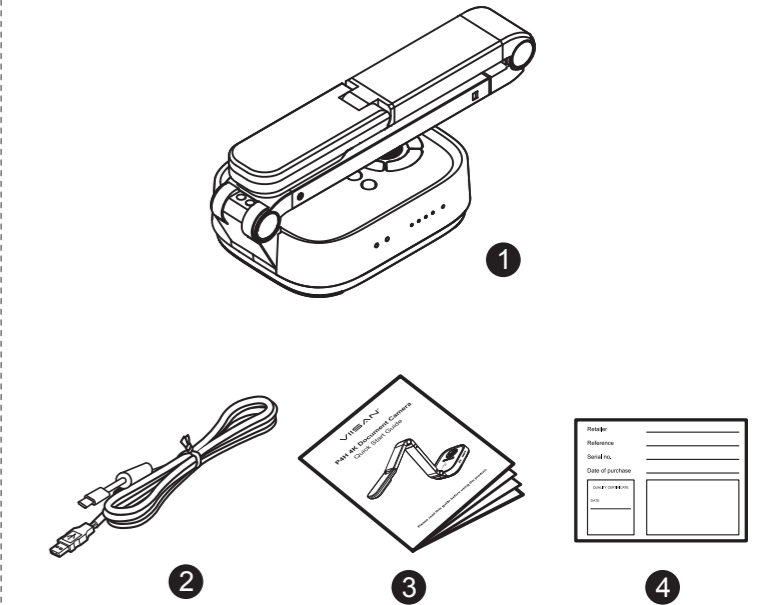
Image Sensor	1/3.06", 13 MP CMOS Sensor
F/NO (Infinite)	2.2
TV lines	1100
Max. Shooting Area	430mm x 320mm (17"x12.6")
Max. HDMI Output Resolution / FPS	3840x2160@30fps (4K, 16:9)
USB Output Resolution / FPS	4192x3104@10fps (13MP, 4:3)
	3840x2160@30fps (4K, 16:9)
	1920x1080@30fps (Full HD, 16:9)
	1280x720@30fps (HD, 16:9)
	1024x768@30fps (XGA, 4:3)
	640x360@30fps (VGA, 16:9)
Video Format	H.264 / MJPG / YUY2
Focus	Auto / Manual
Lamp	LED
Image Rotation	0° / 90° / 180° / 270° / Flip / Mirror
PTZ	Yes
Freeze	Yes
Power Frequency	50 / 60 Hz
Connectivity	USB (Type-C) / HDMI
Microphone	Built-in Omnidirectional Microphone
	1kHz(0dB=1V/Pa) Min-45 Nom-42 Max-39 dB
Powered By	USB Type-C (5V/900mA)
Protocol	UVC / UAC Compliant
Soupport OS	Windows & Chrome Extension
Dimensions	Extended: 347x115x381 mm
	Closed: 242x115x87 mm
Net Weight	1.2Kg

NOTE: Specifications are subject to change without notice

Step 3. Unpacking

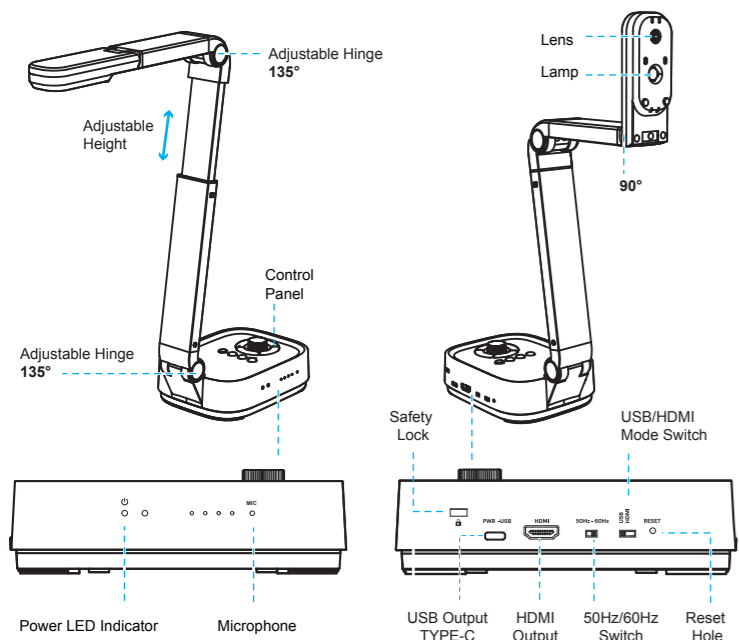
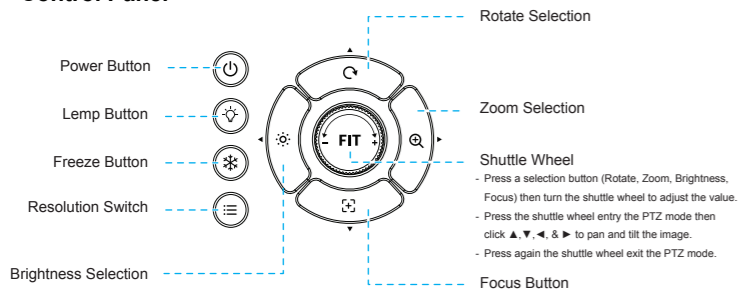
Before use, make sure the following items are included in the package. If anything is missing, contact the retailer where you purchased the product.

1. 4K Document Camera
2. USB Type-C Cable
3. Quick Start Guide
4. Warranty Card



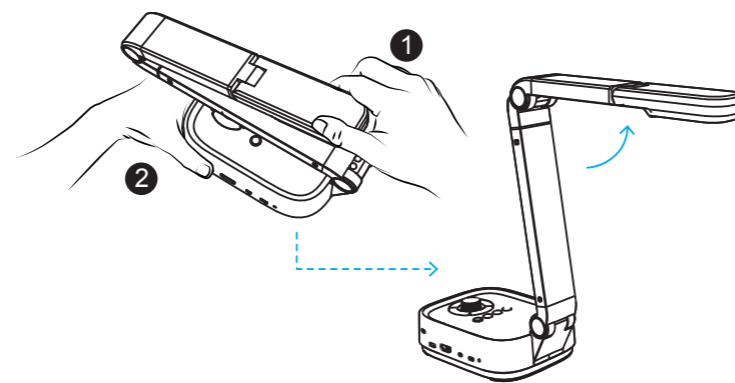
Step 4. Parts Descriptions

Control Panel

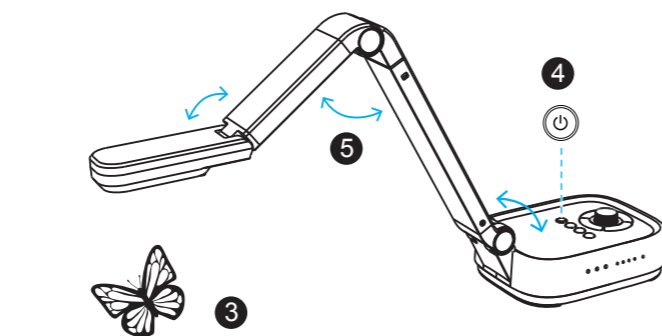


Step 5. Getting Started with P4H

1. Start by lifting the camera head.
2. Press against the base plate of the device.



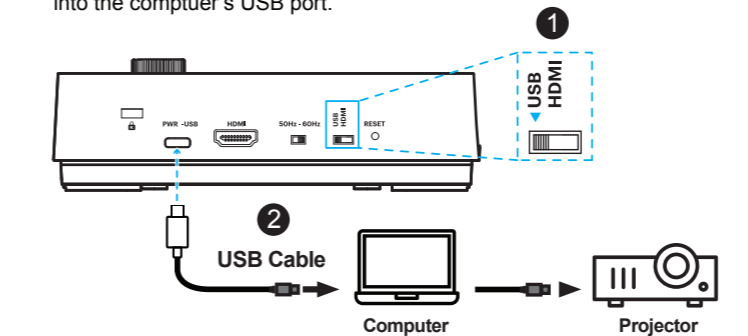
3. Place an object to be displayed under the camera.
4. Press the power button to turn on the power.
5. Adjust the arm to change the height and position for capturing your object.



Step 6. Connection Settings

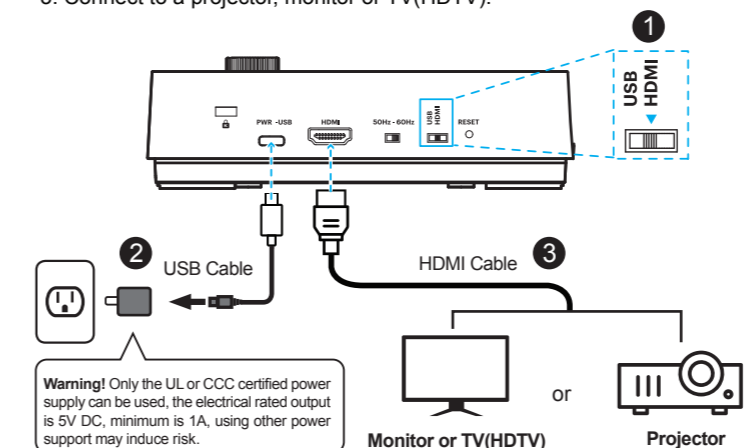
USB Mode Connection

1. Switch to the USB connection mode.
2. Plug the supplied USB type-C cable to the P4W and connect another end into the computer's USB port.



HDMI Mode Connection

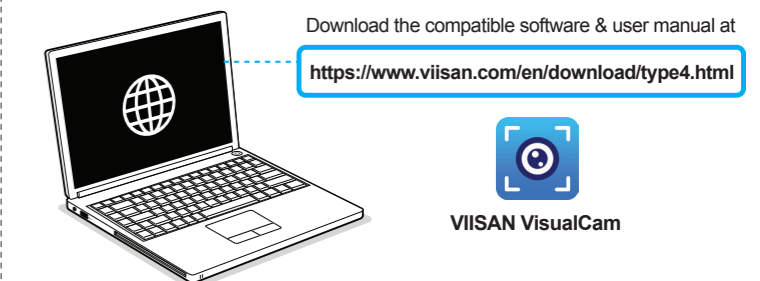
1. Switch to the HDMI connection mode.
2. Plug the USB cable into the USB power adapter.
3. Connect to a projector, monitor or TV(HDTV).



Warning! Only the UL or CCC certified power supply can be used, the electrical rated output is 5V DC, minimum is 1A, using other power support may induce risk.

Step 7. Using Compatible Software

VIISAN P4H is a standard UVC camera, you can use it with a variety of software as long as they recognize the video source coming from a UVC camera. For example, you can use it with third-party video conferencing software like Zoom, Microsoft Teams, or Google Meet. However, to get the full functionality of this 4K Document Camera, we'd recommend using it with VIISAN VisualCam software and you can download this free software from VIISAN's website at the below link.



For the more detailed operation about the VisualCam software, you can watch the video tutorials or download user's manual from VIISAN's support center at <https://www.viisan.com/en/support/list.html>