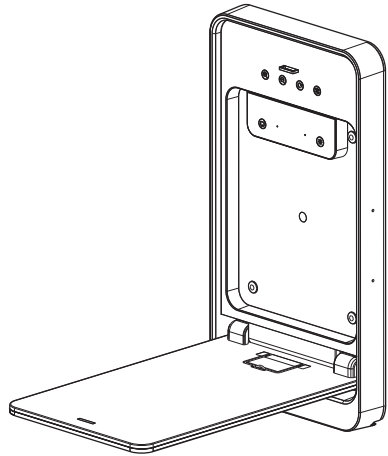


VIISAN®

VF134X1
Wall-Mounted Visualizer

Quick Start Guide

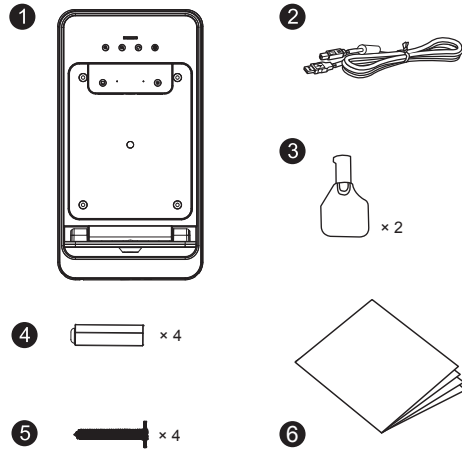


Please read this guide before using the product.

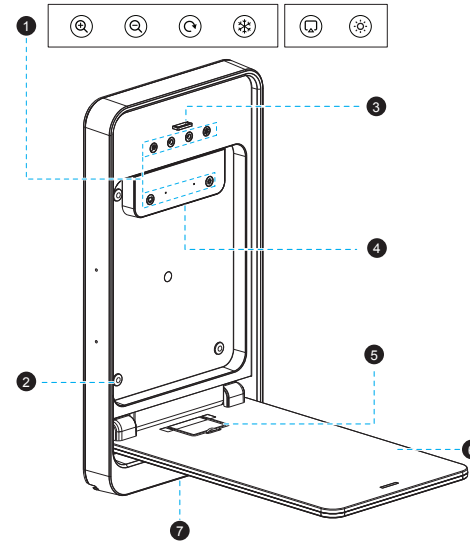
Unpacking

Before using the product, ensure the following items are included in the package. If anything is missing, contact the retailer where you purchased the product.

1. Wall-Mounted Visualizer
2. USB Cable
3. Key × 2
4. Plastic Expansion Anchor × 4
5. PWA4×40mm D=10.0mm screw × 4
6. Quick Start Guide × 1



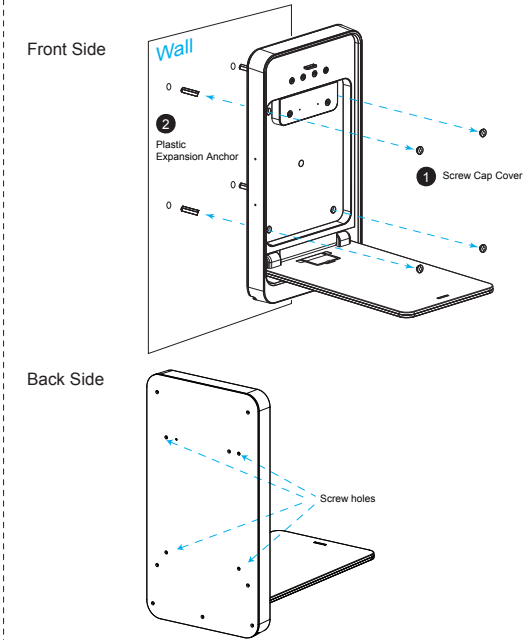
Parts Descriptions



1. Touch Buttons (Zoom In / Zoom Out / Rotate / Freeze / Start up / LED Light Button)
2. Screw Cap Cover × 4
3. Hasp
4. Camera
5. Clip
6. Plate
7. USB Port

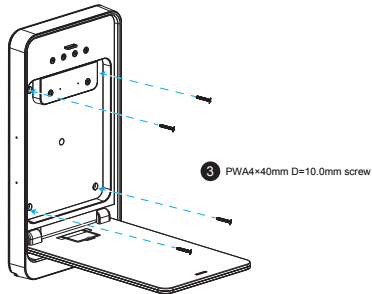
Hardware Installation - Step 1

1. First, remove the four Screw Cap Covers from the VF134X1 Wall-Mounted Visualizer, and then align the four points on the wall and drill four holes.
2. Insert the four "plastic expansion anchors" into the four holes in the wall.

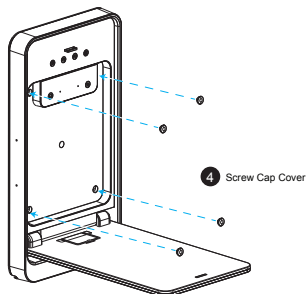


Hardware Installation - Step 2

3. Screw four "PWA4×40mm D=10.0mm" screws into the wall.



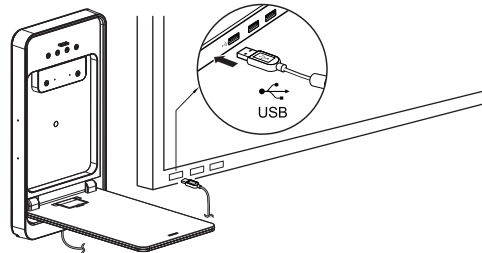
4. Finally, cover the four Screw Cap Covers.



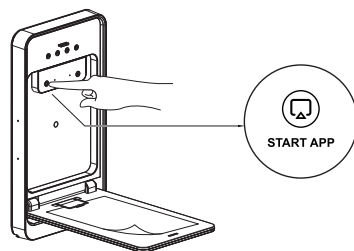
Hardware Installation - Step 3

5. Connect the supplied USB cable to an Interactive Flat-Panel Display (IFPD) or a computer.

NOTE: If you are connecting this visualizer to an Interactive Flat Panel Display, please ensure your IFPD has a built-in Windows OPS.



6. Place your demo material on the plate of the Wall-Mounted Visualizer and click the "Start App" button to launch the ViiBoard software.



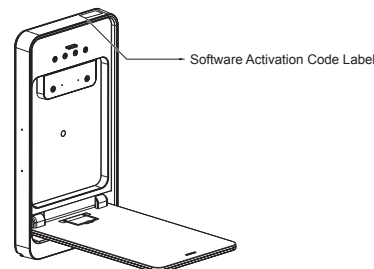
Software Installation

The VF134X1 is a standard UVC Camera, and you can use third-party software as long as it can recognize the source coming from the UVC camera. However, for the full functionality of this visualizer, we recommend using its exclusive ViiBoard software, which you can download for free from our website using the link provided below.

<https://www.viisan.com/en/download/type4.htm>



NOTE: After the Ucam software is installed completely, please enter the 16-digit activation code to activate the software.



Warranty

Warranty Card	
Model No.: VF134X1	
This product provides limited warranty continues for one (1) year from the date of purchase.	
Name:	Email:
Address:	
Product S/N:	
Reseller Info.:	
Date of purchase:	

Warranty Exclusions

- The following circumstances excluded from warranty coverage:
- Product damage caused by catastrophes, thunder stroke, faulty electric power, and environmental factors.
 - Defacing of product labeling (label alterations and falsifying, serial number missing, serial number no longer discernible, serial number invalid). All serial numbers are recorded and tracked for warranty purposes.
 - Unauthorized changes of non-parts, modifications or alterations, parts removal in or to the products.
 - Damage caused by operator error or operator fails to comply user manual instruction, such as, but not limited to improper storage resulting in product get wet, corrosion, ell off, squeezed or exposed to inadequate temperature/humid environment.
 - Accessories or packing material such as boxes, user manual, etc.



VIISAN Technology Co., Ltd.
www.viisan.com
Customer service: info@viisan.com