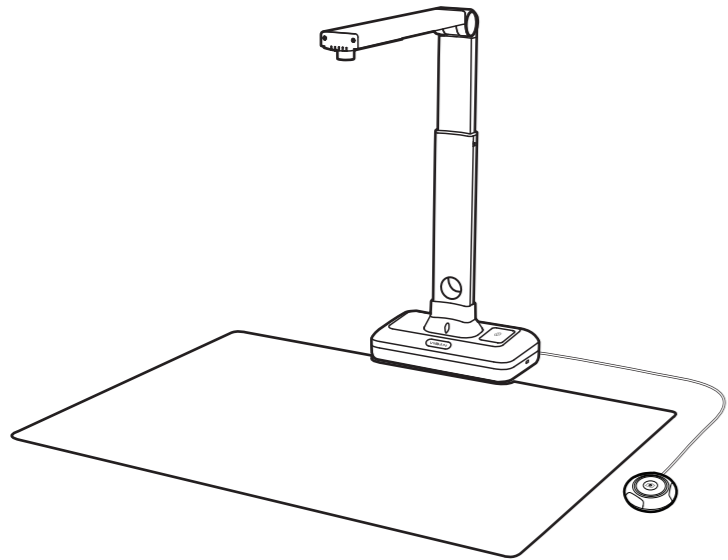


# S21 Document Camera

## Quick Start Guide



Please read this guide before using the product.

### Step 1. Instructions

Thank you for purchasing the VIISAN document camera. This device is an A2-size document camera for use on desktop and laptop via USB connection. This quick start guide briefly describes the steps to start using this document camera. If you have any technical or service questions about the product, please E-mail our customer service using info@viisan.com then we will provide you with service and support.

#### Limited Warranty

This product provides limited warranty continues for one (1) year from the date of purchase.

#### Warranty Exclusions

The following circumstances excluded from warranty coverage:

- Product damage caused by catastrophes, thunder stroke, faulty electric power, and environmental factors.
- Defacing of product labeling (label alterations and falsifying, serial number missing, serial number no longer discernible, serial number invalid). All serial numbers are recorded and tracked for warranty purposes.
- Unauthorized changes of non-parts, modifications or alterations, parts removal in or to the products.
- Damage caused by operator error or operator fails to comply user manual instruction, such as, but not limited to improper storage resulting in product get wet, corrosion, ell off, squeezed or exposed to inadequate temperature/humid environment.
- Accessories or packing material such as boxes, user manual, etc.

#### Safety & Environmental Information

- This device complies with part 15 of the FCC rules and CE certification.
- Discarded electrical and electronic appliances are recyclable and should separate from household waste. Please actively support in conserving resources and protecting the environment by returning this appliance to the collection centers.

#### System Requirements

Intel i5 Processor or Higher
USB 2.0 Jack
At least 8GB RMB (Recommended 16GB)
20GB Available HDD Space
Microsoft® Windows® 10, 8.1, 8, 7
macOS® 10.15 or later



### Step 2. Specifications

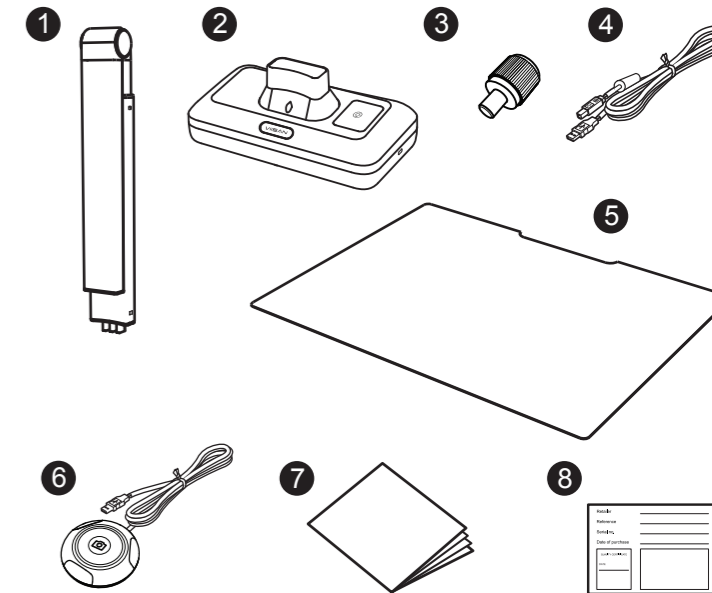
Image Sensor	20.1-Megapixel SONY CMOS Sensor
Max. Resolution	Optical: 5088 x 3904 Pixels Software Interpolation: 14405 x 10804 Pixels
Max. DPI Output	Up to 600 dpi using the exclusive OfficeCam software
Max. Shooting Area	A2 ( 594x420) mm
Color Bit Depth	24-bit
Lens Focus	Fixed
Light Source	Built-in LED (3-level control)
Scanning Speed	1 second per page (Note: Results may vary depending upon your computer processor, and system memory.)
Scanning Methods	Hand Button Control, Button Control (On software) Foot Pedal Control (Option)
Software File Output	Image: JPG Document: PDF, Word, Excel, Text Text To Speech: MP3, WAV (Note: The Text To Speech function is only available on Windows software) Video: AVI, MP4, FLV, (MOV for masOS only)
Video Streaming (FPS)	Video mode: 1920 x 1080@30fps Software Preview Window: 2048 x 1536@15fps
Interface	USB 2.0 Type B x 1 (For PC Connection) USB 2.0 Type-A x 1 (For USB Extension)
Power	5V / 1A by USB-Powered
Dimensions	Folded size:112 x 210 x 395 mm Working size: 360 x 210 x 355 mm in A3 status Working size: 360 x 210 x 475 mm in A2 status
Net Weight	Approx. 1kg
Compatible Software	Windows 7, 8.1, 10, 11 macOS 10.15 or later (Supports Apple Silicon Macs)

Note: Specifications are subject to change without notice.

### Step 3. Unpacking

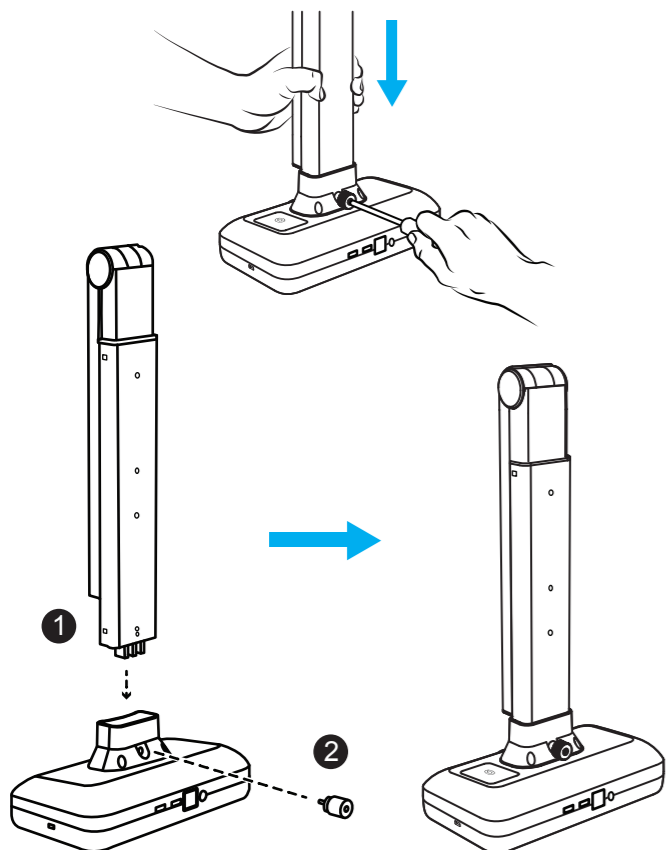
Before use, please ensure the following items are included in the package. If any items are missing, contact the retailer from whom you purchased the product.

1. Camera Arm Module
2. Base Module
3. Screw
4. USB Cable
5. Scanning Pad
6. Hand Button
7. Quick Start Guide
8. Warranty Card

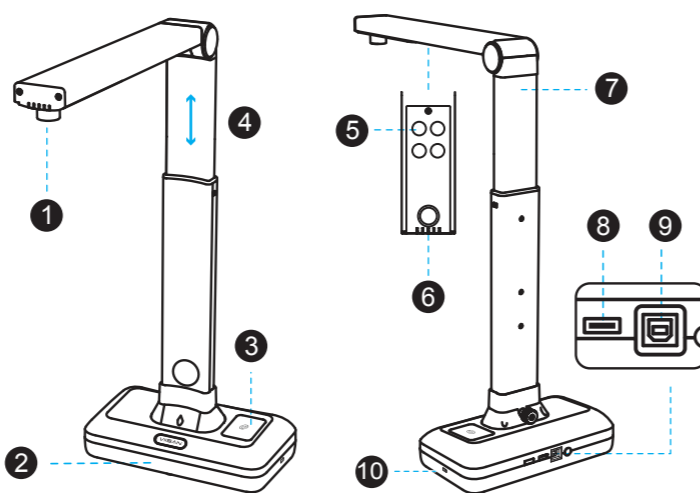


### Step 4. Assemble the Document Camera

1. Hold the camera arm and lining up the holes in the base then insert it.
2. Securing it with the included screw by using the handy screwdriver.



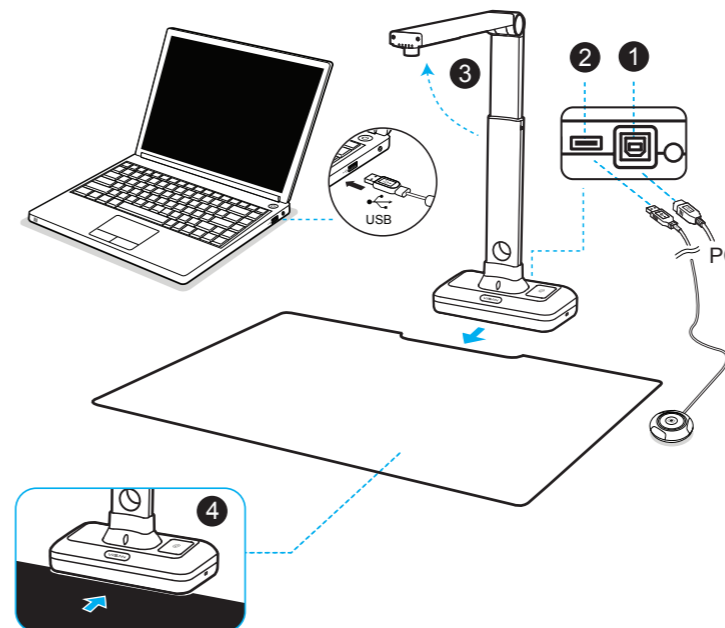
### Step 5. Parts Descriptions



1	Camera Lens
2	Base
3	LED Touch Switch
4	Adjustable Arm (It allows to change the height for capturing your material)
5	LED Lamp x 4 pcs
6	Built-in Microphone
7	Foldable Hinge
8	USB Hub for Hand Button Connection
9	USB Socket for PC Connection
10	Lock Slot

### Step 6. Setting Up & Connecting to a Computer

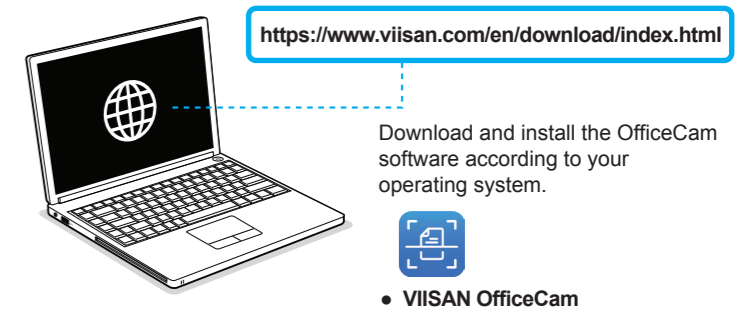
1. Plug the supplied USB cable to the back of the document camera and connect another end into an available USB port on your computer.
2. Plug the supplied external [Hand Button] into the USB hub on the back of the document camera.
3. Place the scanning pad in front of the document camera.
4. Unfolding the arm to lifting the camera head.



NOTE: Ensure the scanning pad is in contact with the scanner base.

### Step 7. Download & Using Compatible Software

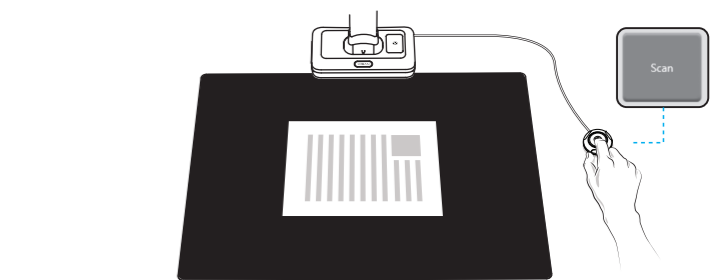
Before using the S21 document camera, please go to the following website to download compatible software.



Download and install the OfficeCam software according to your operating system.

• VIISAN OfficeCam

Launch the software and place a document facing up on the center of the black scanning pad and then click the [Scan] button to perform scanning.



For the more detailed operation of compatible software, you can watch the video tutorials or download user's manual from VIISAN's support center at <https://www.viisan.com/en/support/list.html>



VIISAN Technology Co., Ltd.  
www.viisan.com  
Customer service: info@viisan.com