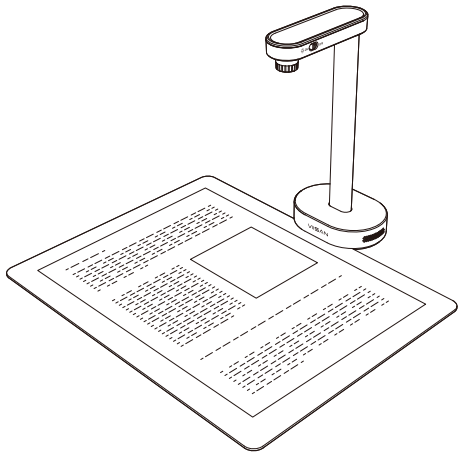


VIISAN®

**A8401**  
Document Camera Scanner



**Quick Start Guide**

Please read this guide before using the product.

**Step 1. Instructions**

Thank you for purchasing the VIISAN product. The A8401 is a short-arm document camera scanner with a unique short-arm design. This quick start guide briefly describes the steps to start using this document camera scanner. If you have any technical or service questions about the product, please email our customer service at info@viisan.com, and we will provide you with service and support.

**Safety & Environmental Information**

**Federal Communications Commission Statement (Class B)**

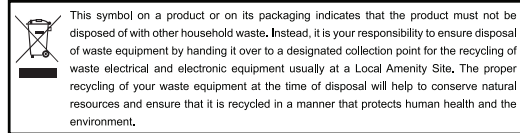
**FC** This device complies with Part 15 of the FCC Rules. Operation is subject to the following two conditions: (1) this device may not cause harmful interference, and (2) this device must accept any interference received, including interference that may cause undesired operation. This equipment has been tested and found to comply with the limits for a Class B digital device, pursuant to part 15 of the FCC Rules. These limits are designed to provide reasonable protection against harmful interference in a residential installation. This equipment generates, uses, and can radiate radio frequency energy and, if not installed and used in accordance with the instruction manual, may cause harmful interference to radio communications. However, there is no guarantee that interference will not occur in a particular installation. If this equipment does cause harmful interference to radio or television reception, which can be determined by turning the equipment off and on, the user is encouraged to try to correct the interference by one or more of the following measures:

- Reorient or relocate the receiving antenna.
- Increase the separation between the equipment and receiver.
- Connect the equipment into an outlet on a circuit different from that to which the receiver is connected.
- Consult the dealer or an experienced radio/TV technician for help.

Any changes or modifications not expressly approved by the party responsible for compliance could void the authority to operate the equipment.

**CE Class B (EMC)**

**CE** This product is herewith confirmed to comply with the requirements set out in the Council Directives on the Approximation of the laws of the Member States relating to Electromagnetic Compatibility Directive 2014/30/EU.



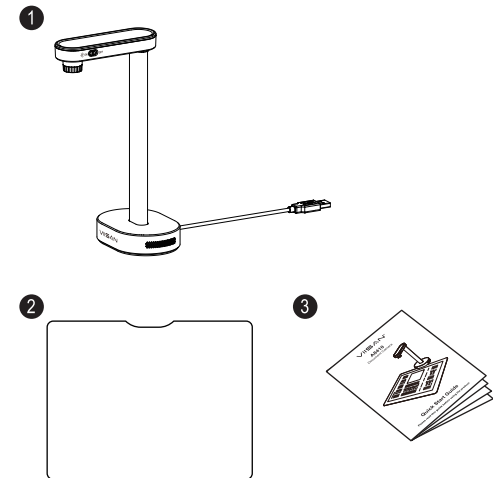
**Step 2. Specifications**

Image Sensor	1/3.2" CMOS Sensor
Max. Resolution	Optical: 3264×2448 pixels (8.0 MP) Software Interpolation: 4608×3456 pixels (16 MP)
Max. Video Frame Rate	1920x1080@30fps
Focus	Fixed focus
Max. Shooting Area	A4, 210×297mm
Color bit depth	24-bit
LED Light Source	Built-in
Output Format	Picture: JPG, TIFF, BMP, PNG Document: PDF(Image), PDF (Searchable), PDF (Text), Excel, WORD, TEXT E-book: EPUB Video: AVI, MPEG, FLV, WMV
Video Compression	MJPEG, YUY2
Output Resolution/FPS	YUY2: 10fps@1024x768;10fps@1280x720; 10fps@1280x960; 5fps@1600x1200; 5fps@1920x1080;3fps@2048x1536; 3fps@2592x1944  MJPEG: 10fps@3264×2448; 15fps@1024×768; 30fps@1280×720; 15fps@1280×960; 30fps@1600×1200; 30fps@1920×1080; 15fps@2048×1536; 15fps@2592×1944
Microphone	Built-in
Interface	USB 2.0 Type-A
Power	5V by USB power
Dimension	130(L) ×100(W) ×224(H) mm
Net Weight	320g

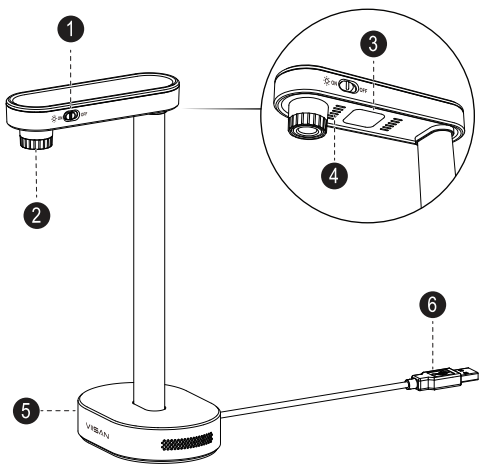
**Step 3. Unpacking**

Before using, make sure the following items are included in the package. If anything is missing, contact the retailer where you purchased the product.

1. A8401 Document Camera Scanner
2. Scan pad
3. Quick Start Guide



**Step 4. Parts Descriptions**

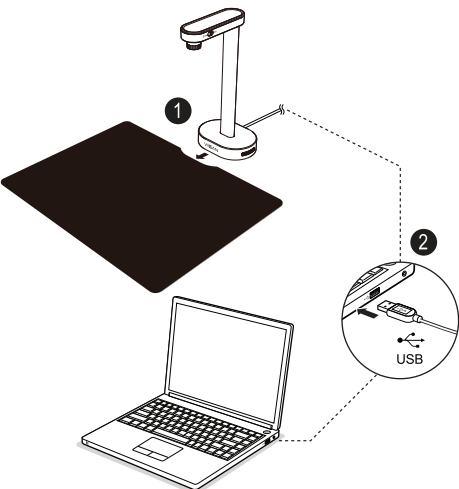


1. LED light switch
2. Camera
3. LED Light
4. Microphone
5. Base
6. USB 2.0 Type-A

**Step 5. Getting Started**

1. Place the document camera scanner on the scanning pad and ensure the scanning pad is in contact with the document camera base.
2. Connect the end of the USB 2.0 type-A to an available USB port on your computer.

**Note:**  
When plugging the document camera into the computer, make sure your system device manager has recognized a "Document Scanner" device.



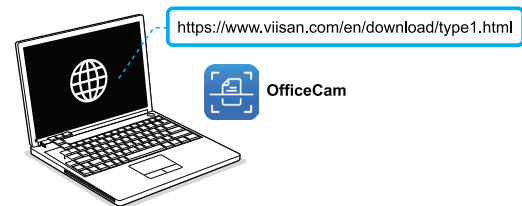
**Step 6. Connect Setting**

**Using the compatible software**

The A8401 is a standard UVC camera, compatible with various software that recognizes UVC camera video sources. It seamlessly integrates with popular third-party video conferencing applications such as Zoom, Microsoft Teams, or Google Meet. However, for optimal functionality and access to unique features specific to this document camera, we recommend using it with VIISAN OfficeCam software.

This versatile tool allows you to capture snapshots, recognize barcodes, and scan documents, saving them as JPEG or other image files. Additionally, it can convert them into searchable PDFs or editable formats like Word, Excel, and Text through its embedded OCR engine.

To access this robust and complimentary software, simply download it from VIISAN's support center through the link provided below.



**To get more details about VIISAN OfficeCam, You can visit VIISAN official website to watch the instruction video or download the user guide via <https://www.viisan.com/en/support/list.html>.**



**Step 7. Warranty Information**

<b>Warranty Card</b>	
<b>Model No.: A8401 Document Camera Scanner</b>	
This product provides limited warranty continues for one (1) year from the date of purchase.	
<b>Name:</b>	<b>Email:</b>
<b>Address:</b>	
<b>Product S/N:</b>	
<b>Reseller Info.:</b>	
<b>Date of purchase:</b>	

**Warranty Exclusions**

- The following circumstances are excluded from warranty coverage:
- Product damage caused by catastrophes, lightning strikes, faulty electric power, and environmental factors.
  - Defacement of product labeling (label alterations and falsifying, missing serial numbers, serial numbers no longer discernible, or invalid serial numbers), All serial numbers are recorded and tracked for warranty purposes.
  - Unauthorized changes to non-parts, modifications, or alterations, as well as the removal of parts from or to the products.
  - Damage caused by operator error or failure to comply with the user manual instructions, including but not limited to improper storage resulting in the product becoming wet, corroded, falling off, squeezed, or exposed to inadequate temperature/humidity environments.
  - Accessories or packaging materials such as boxes, user manuals, etc